

2600T Series Pressure Transmitters

Models 262B/D/V/P

Models 264B/D/V/P

IndustrialIT
enabled™



The Company

We are an established world force in the design and manufacture of instrumentation for industrial process control, flow measurement, gas and liquid analysis and environmental applications.

As a part of ABB, a world leader in process automation technology, we offer customers application expertise, service and support worldwide.

We are committed to teamwork, high quality manufacturing, advanced technology and unrivalled service and support.

The quality, accuracy and performance of the Company's products result from over 100 years experience, combined with a continuous program of innovative design and development to incorporate the latest technology.

The NAMAS Calibration Laboratory No. 0255(B) is just one of the ten flow calibration plants operated by the Company, and is indicative of our dedication to quality and accuracy.

EN ISO 9001: 1994



Cert. No. Q5907

ISO 9001: 2000



Cert. No. 9/90A



Cert. No. 0255

Use of Instructions



Warning.

An instruction that draws attention to the risk of injury or death.



Note.

Clarification of an instruction or additional information.



Caution.

An instruction that draws attention to the risk of damage to the product, process or surroundings.



Information.

Further reference for more detailed information or technical details.

Although **Warning** hazards are related to personal injury, and **Caution** hazards are associated with equipment or property damage, it must be understood that operation of damaged equipment could, under certain operational conditions, result in degraded process system performance leading to personal injury or death. Therefore, comply fully with all **Warning** and **Caution** notices.

Information in this manual is intended only to assist our customers in the efficient operation of our equipment. Use of this manual for any other purpose is specifically prohibited and its contents are not to be reproduced in full or part without prior approval of Technical Communications Department, ABB.

Health and Safety

To ensure that our products are safe and without risk to health, the following points must be noted:

1. The relevant sections of these instructions must be read carefully before proceeding.
2. Warning labels on containers and packages must be observed.
3. Installation, operation, maintenance and servicing must only be carried out by suitably trained personnel and in accordance with the information given. Any deviation from these instructions, will transfer the complete liability to the user.
4. Normal safety precautions must be taken to avoid the possibility of an accident occurring when operating in conditions of high pressure and/or temperature.
5. Chemicals must be stored away from heat, protected from temperature extremes and powders kept dry. Normal safe handling procedures must be used.
6. When disposing of chemicals ensure that no two chemicals are mixed.

Safety advice concerning the use of the equipment described in this manual or any relevant hazard data sheets (where applicable) may be obtained from the Company address on the back cover, together with servicing and spares information.

CONTENTS

Section	Page
INTRODUCTION	3
TRANSPORT, STORAGE, HANDLING AND PRODUCT IDENTIFICATION	4
PRINCIPLE OF OPERATION	5
INSTALLATION	7
ELECTRICAL CONNECTIONS	8
ELECTRICAL REQUIREMENTS	10
RANGE AND SPAN CONSIDERATION	10
CALIBRATION	11
DISMANTLING AND REASSEMBLY	13
SIMPLE FAULT FINDING	16
RETURNING FORM	17
ADDENDUM FOR "METERS" OPTION OF THE TRANSMITTERS	18
ADDENDUM FOR COMETER - ANALOG LCD INDICATOR WITH HART PROGRAMMING CAPABILITY AND PROMETER PROGRAMMABLE INDICATOR	25
ADDENDUM FOR PV-SCALING OPERATION	30
ADDENDUM FOR "SURGE PROTECTOR" OPTION OF THE TRANSMITTERS	31
ADDENDUM USE OF HARDWARE LINKS ON THE SECONDARY ELECTRONICS	34
ADDENDUM FOR DIFFERENTIAL PRESSURE TRANSMITTERS : SELECTABLE OUTPUT FUNCTIONS	36
ADDENDUM FOR FLANGE-MOUNTED TRANSMITTERS	42
ADDENDUM FOR "EX SAFETY" ASPECTS AND "IP" PROTECTION (EUROPE)	48

INTRODUCTION

The **2600T** series is a modular range of field mounted, micro-processor based electronic transmitters, using a unique inductive sensing element. Accurate and reliable measurement of differential pressure, gauge and absolute pressure, flow and liquid level is provided, in the even most difficult and hazardous industrial environments.

The 2600T Smart series transmitter now includes an Analog Version plus HART digital communication, a Profibus DP-PA and a Fieldbus FOUNDATION version.

Digital communication protocols allow remote re-ranging, calibration and diagnostics.

With respect to HART, the bidirectional digital communication does not have any interference with the standard 4-20 mA analog output signal.

Profibus has a complete digital only communication, as well as for Fieldbus FOUNDATION.

This manual describes the features, the installation and calibration procedures related to the 2600T Series Transmitter with HART Communication Protocol.

The 2600T series also gives the opportunity to utilize capacitive and piezo-resistive sensing element for certain models and applications.

SUPPLEMENTARY DOCUMENTATION

Reference information on remote seals and configuration of the transmitter can be found in the following documents:

SS/S264x Remote Seal Specification

SS/264xx Data Sheets

SL/2600T Spare Part List

IM / 691HT Hand-Held Communicator

Online HELP SMART VISION Configuration Program

TRANSPORT

After final calibration, the instrument is packed in a carton (Type 2 to ANSI/ASME N45.2.2-1978), intended to provide protection from physical damage.

STORAGE

The instrument does not require any special treatment if stored as despatched and within the specified ambient conditions level (Type 2 to ANSI/ASME N45.2.2-1978). There is no limit to the storage period, although the terms of guarantee remain as agreed with the Company and as given in the order acknowledgement.

HANDLING

The instrument does not require any special precautions during handling although normal good practice should be observed.

PRODUCT IDENTIFICATION

The instrument is identified by the data plates shown in Figure 1.

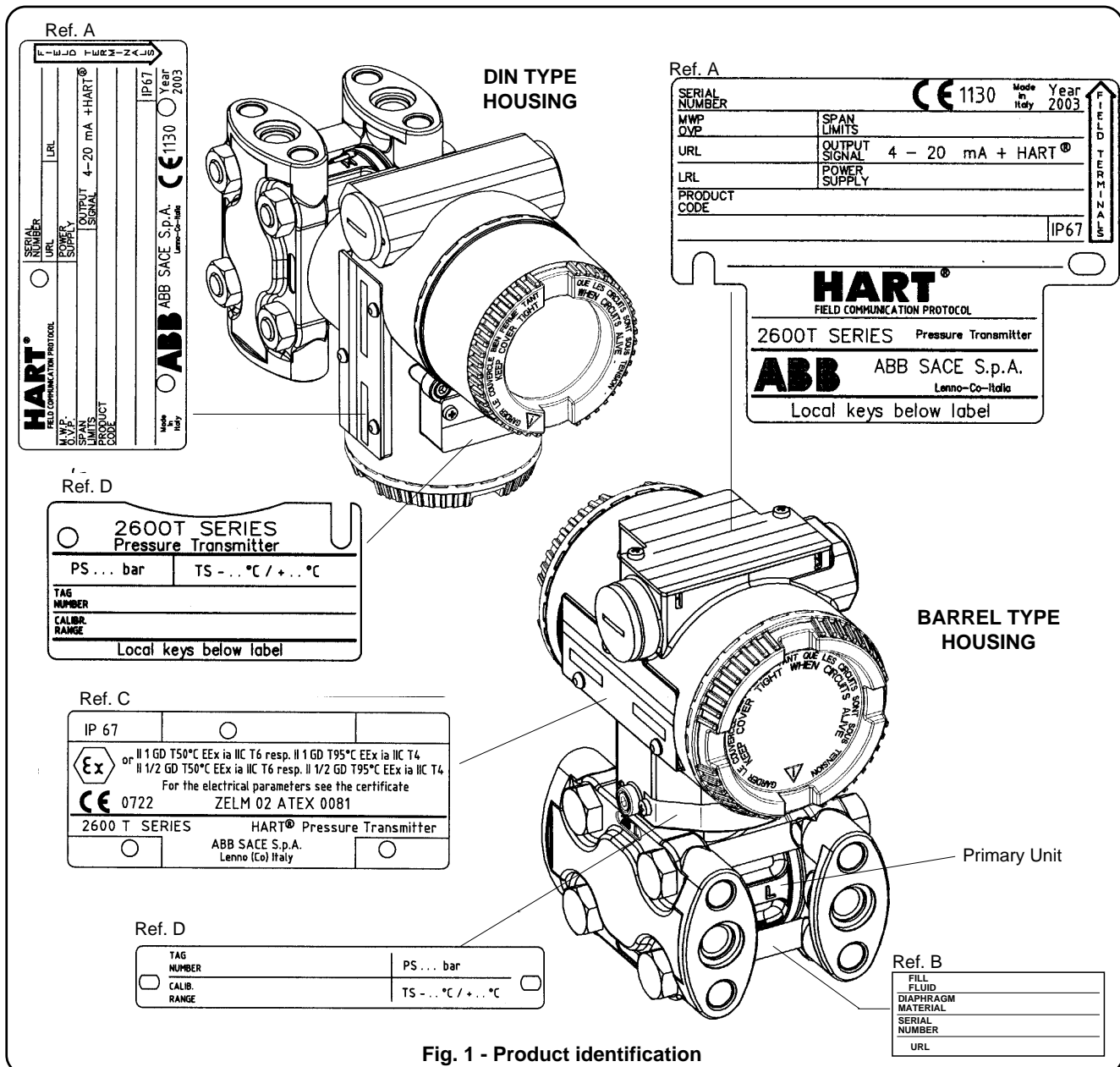
The Nameplate (ref.A) provides information concerning the code number, maximum process working pressure, range and span limits, power supply and output signal. This plate also shows the transmitter serial number.

Please refer to this number when making enquiries.

A dedicated label (ref. B) is welded as standard to the primary unit, carrying specific details of the transducer (diaphragms material, fill fluid, range limit and identification number).

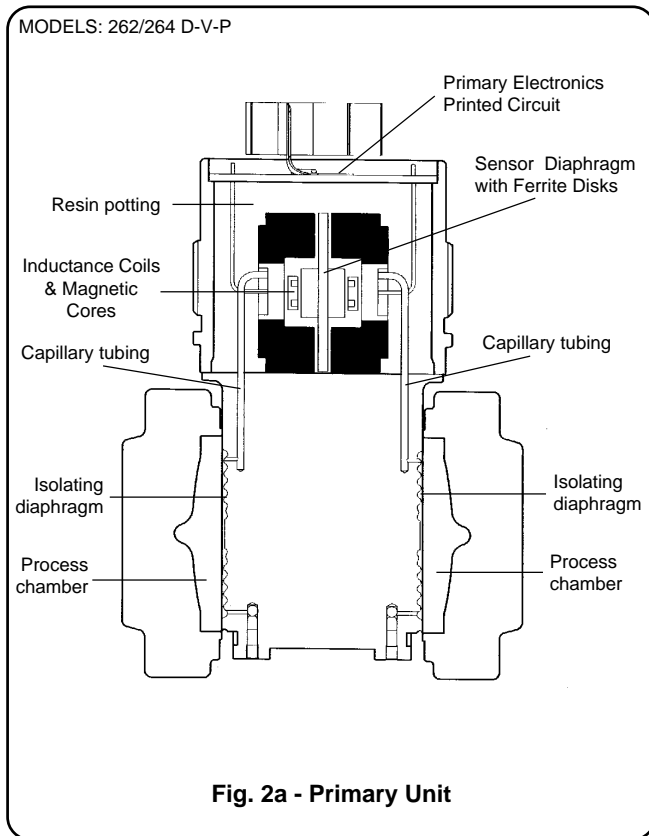
A Safety Marking plate (ref. C) is fitted when the transmitter is required to comply with hazardous area regulations, e.g. flameproof, intrinsic safety or both protection type combined. Additionally Tag plate (ref. D) provides the customer tag number and calibrated range, maximum process working pressure (PS) and temperature (TS).

The instrument may be used as a safety accessory (category IV) as defined by the Pressure Equipment Directive 97/23/EC. In this case, near the CE mark, there is the number of the notified body (1130) that verified the compliance.



Important - The instrument serial number must always be quoted when making enquiries.

PRINCIPLE OF OPERATION



The instrument consists of two functional units:

- Primary Unit
- Secondary Unit

The Primary Unit includes the process interface and the sensor, the Secondary Unit includes the electronics, the terminal block and the housing. The two units are mechanically coupled by a threaded joint. The Electronics of Secondary Unit is based on custom integrated components (Application Specific Integrated Circuit - ASIC).

The principle of operation of the Primary Unit is as follows. The process fluid (liquid, gas or vapour) exerts pressure on to the sensor diaphragm via flexible, corrosion-resistant isolating diaphragms and capillary tubing containing the fill fluid (see Fig. 2a). This is for inductive principle.

As the sensor diaphragm deflects in response to differential pressure changes, it simultaneously produces variations in the gap between two fixed magnetic circuits (comprising coil and ferrite core) positioned on both sides of the measuring diaphragm. As a result, the inductance of each coil changes. The two inductance values L1 and L2, and the sensor temperature ST are combined in the primary electronics to provide a proprietary standardized signal.

In the manufacturing process the sensor output characteristics are compared with reference pressures and temperatures: the "mapped" parameters are then stored in the memory of Primary electronics.

While maintaining the modular construction, it may be adopted a sensor module different than the inductive one. The sensor can be piezoresistive. The completely welded sensor module is a twin-chamber system with an integral overload diaphragm, an internal absolute pressure sensor and a silicon differential pressure sensor.

The absolute pressure sensor, which is only exposed to the pressure at the high pressure side, acts as a reference value to compensate for the static pressure.

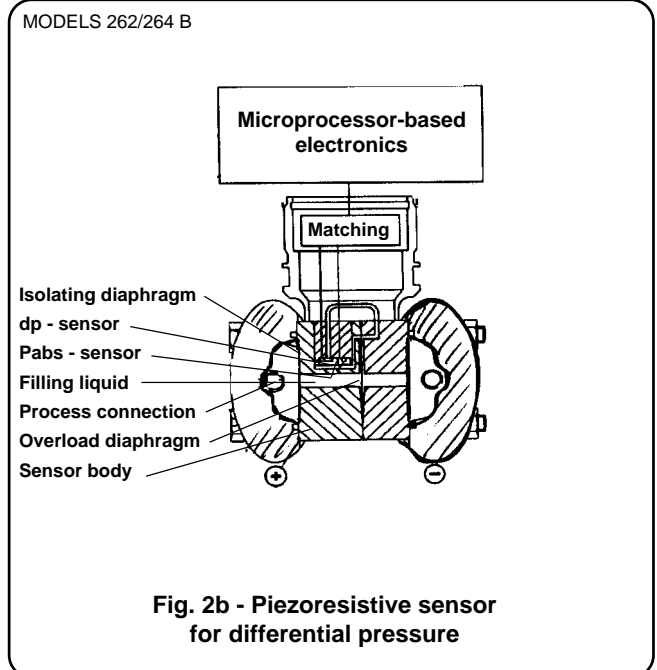
The differential pressure sensor is connected via a capillary tube to the negative side / the reference vacuum of the sensor module. The applied differential pressure (dp) / absolute pressure (pabs) is transferred via the separating diaphragm and the fill fluid to the diaphragms of the silicon differential pressure sensor.

A minimal deflection of the silicon diaphragm changes the output voltage of the pick-up system. This output voltage, proportional to the pressure, is converted by the matching unit and the amplifier into an electrical signal.

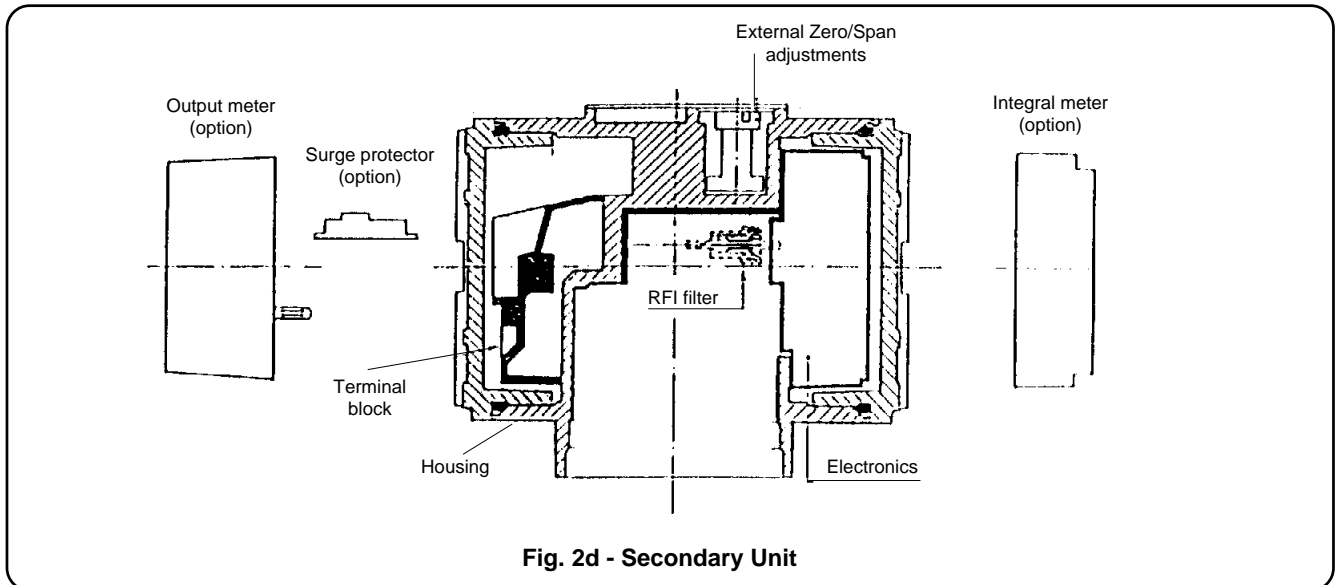
Depending on the model, the transmitter is connected to the process by means of oval flanges with fixing threads according to DIN 19213 (M10/M12) or 7/16 - 20 UNF, 1/4 - 18 NPT Female thread or remote seal.

The measured values and the sensor parameters are transferred to the Secondary Unit, where a microprocessor computes precise primary output linearisation, compensating for the combined effects of sensor non linearity, of static pressure and temperature changes. In the secondary electronics permanent memory are stored the transmitter specific information:

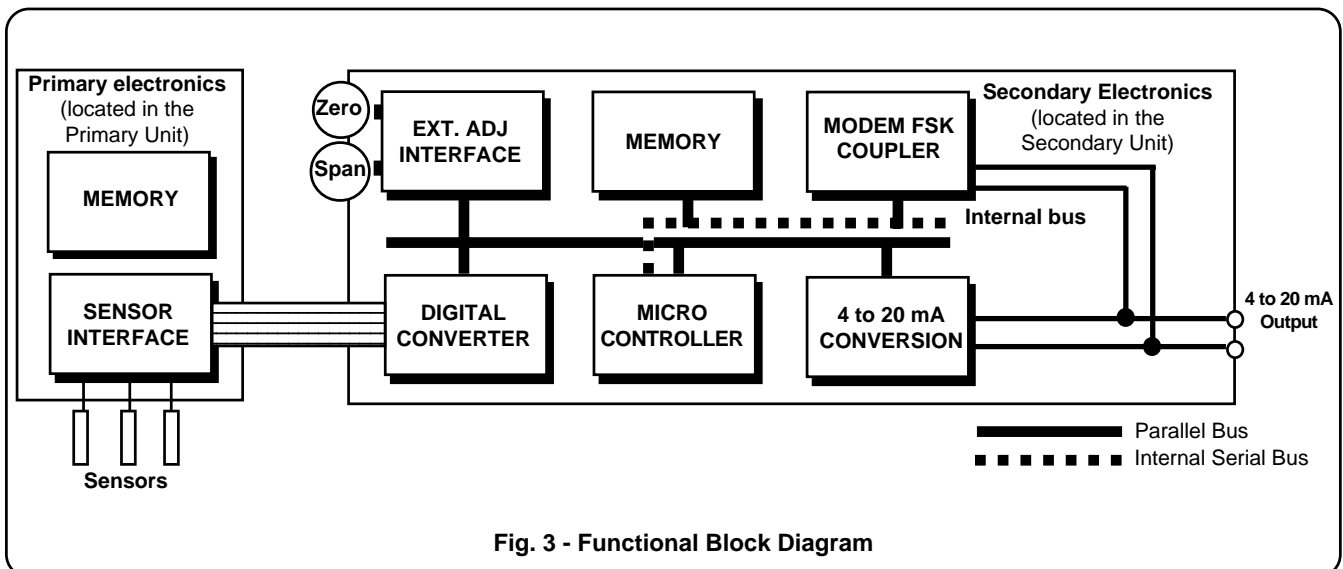
- non modifiable data such as the serial number, the UID (Unique Identifier), the manufacturer's name and device type, the hardware and software version of the electronics.
- the modifiable data such as the final trimming and calibration, in other words, all data that can be changed by the user through the configuration devices.



... PRINCIPLE OF OPERATION



The microprocessor receives data from the internal modem, in order to provide bidirectional digital communication with the configuration device, i.e. the Hand Held terminal "Communicator" or P.C. based "Configurator".



With secondary electronics analog+HART, it is to be considered that different communication protocols exist for configuration and maintenance operations. Here follows a brief description on the matter; please refer to appropriate technical specification for additional deeper explanations on the communication aspects.

The HART protocol is based on the standard Bell 202 FSK (Frequency Shift Keying) with a ± 0.5 mA signal modulation superimposed on the 4 to 20 mA analog signal. As the energy balance added to the current loop is virtually zero and the frequency is very high compared to that of the process dynamic, the analog process signal remains undisturbed.

Using a configuration device it is then possible to remotely modify the configuration of the transmitter, e.g. the measuring range.

It is also possible to read other transmitter data and diagnostic information. Limited rezeroing and respanning, comparable to that of conventional analog transmitters is possible using the optional calibration device. Refer to Fig. 3 for a complete view of the Functional Block Diagram.

The sensor and all electronic parts are galvanically isolated from the transmitter body.

INSTALLATION

WARNING - For installation in Hazardous Areas, i.e. areas with dangerous concentrations of e.g. gases or dusts that may explode if ignited, the installation must be carried out in accordance with relative standards either EN 60079-14 or IEC 79-14 and/or with local authority regulations, for the relevant type of protection adopted. Together with safety information here and after enclosed see also the Addendum for "Ex Safety" aspects which is part of this instruction manual.

WARNING - In order to ensure operator safety and plant safety it is essential that installation is carried out by suitably trained personnel according to the technical data provided in the Data Sheet for the relevant model included in the supplementary documentation, in particular in the "Operative limits" section.

The transmitter may be mounted on a vertical or horizontal 2-inch pipe (figg. 4 and 5) by means of the same mounting bracket.

Note: for other installation details see the relevant Addendum.

WARNING: The transmitter when installed in accordance with this instruction manual will not be subjected to mechanical stresses.

WARNING: the transmitter should not be installed where it may be subjected to mechanical and thermal stresses. ABB cannot guarantee that a construction material is suited to a particular process fluid under all possible process conditions. Therefore it is the user responsibility the selection of suitable wetted parts materials and filling fluid.

The secondary unit of the transmitter may be rotated through 360° approx. with respect to the primary unit without degrading performance or damaging the internal wiring. Do not force the primary unit to rotate; use the 2 mm Allen key supplied to unlock and lock the tang grub screw (see Fig. 7). This feature, obtained by unscrewing (one turn is sufficient) the Allen screw, is particularly useful for reaching optimum access to the electrical connections and visibility of the output indicator.

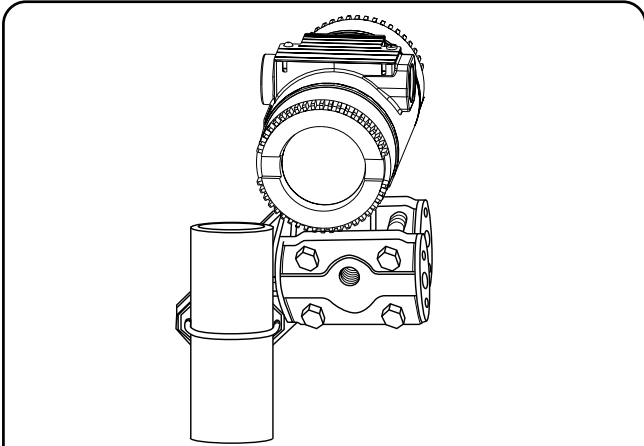


Fig. 4 - Mounting on 2" vertical pipe

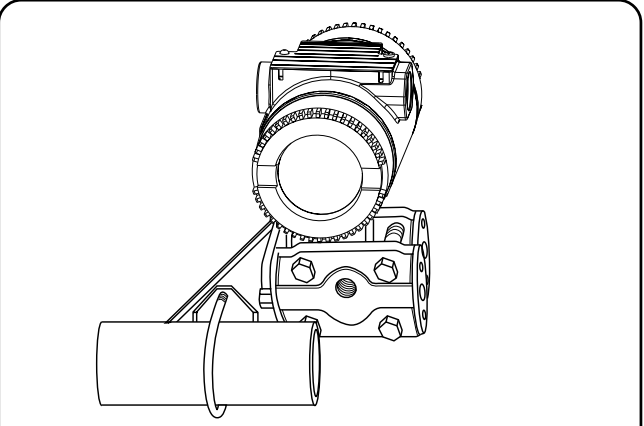


Fig. 5 - Mounting on 2" horizontal pipe

CAUTION - Proper location of the transmitter with respect to the process pipe will depend upon the service for which the instrument is used. Care should be exercised to identify correct process connections.

Note: High side may be marked H or +
Low side may be marked L or -

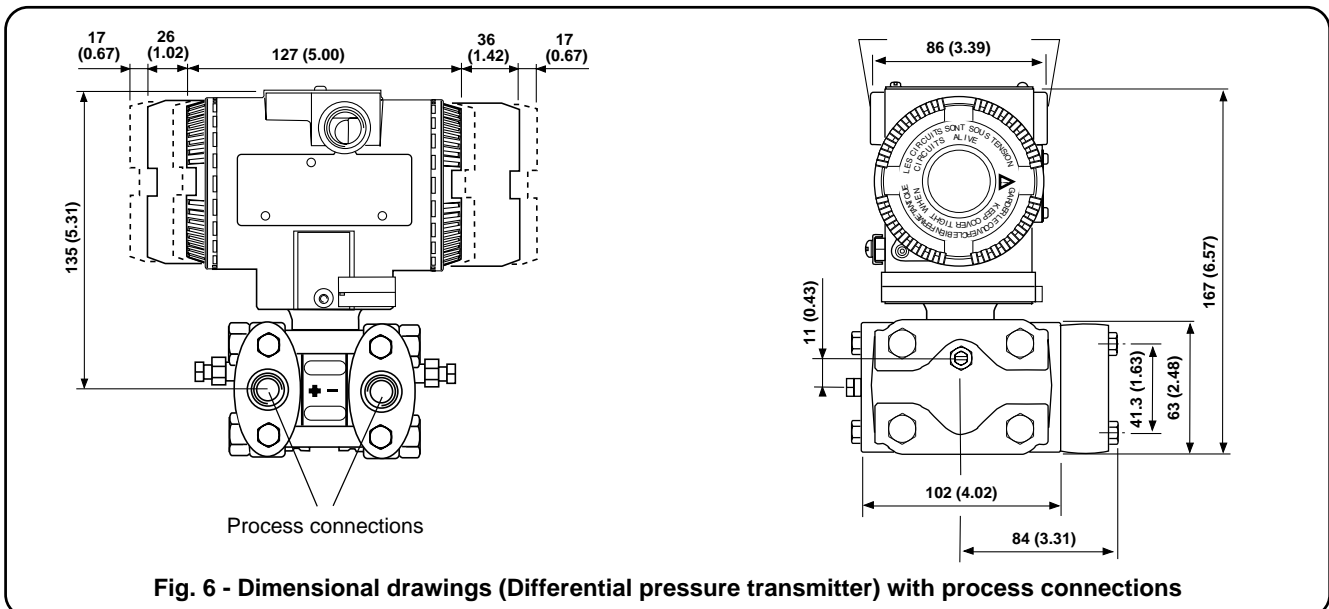


Fig. 6 - Dimensional drawings (Differential pressure transmitter) with process connections

Note: dimensions are expressed in mm. (Between parenthesis the same dimensions expressed in inches).

ELECTRICAL CONNECTIONS

WARNING - For installation in Hazardous Areas, i.e. areas with danger of fire and/or explosion, prior to making electrical connections, ensure compliance with safety information on the Safety Marking plate. Failure to comply with this warning can result in fire or explosion.

Signal terminals are located in a separate compartment of the secondary unit housing. The housing incorporates two connection ports for cable glands or conduit fittings. They are protected with a temporary plastic plug for transit purpose which should be replaced with a suitable permanent plug in the unused port. Connections can be made by removing the cover (indicated in Fig. 7); first screw down the locking screw located below the cover, using a 3 mm Allen Key.

WARNING - For Hazardous Areas installations, the connection of cables and conduits to the transmitter shall be made in accordance with the requirements of the relevant type of protection. Cables and cable-glands must be in accordance with the type of protection. Unused openings for connection shall be closed with blanking elements suitable for the relevant type of protection. With the exception of intrinsically safe transmitters, the means provided for this shall be such that the blanking element can be removed only with the aid of tools. The blanking elements must be certified for the type of protection. See standards either EN 60079-14 or IEC 79-14. The transmitter connections must also guarantee the degree of protection of the transmitter enclosure, e.g. IPxx according to EN 60529 standard (or IEC529). See also the Addendum for "IP" protection (and Ex Safety) which is part of this instruction manual.

The signal cable should be connected to the terminals marked respectively (+) and (-). If an internal output meter - either with analog or digital indication - is installed, it should be removed in order to make the connection, simply by pulling it out from its socket. After the connections have been made, reinstall the output meter. Refer to the **Meters Option** addendum for details.

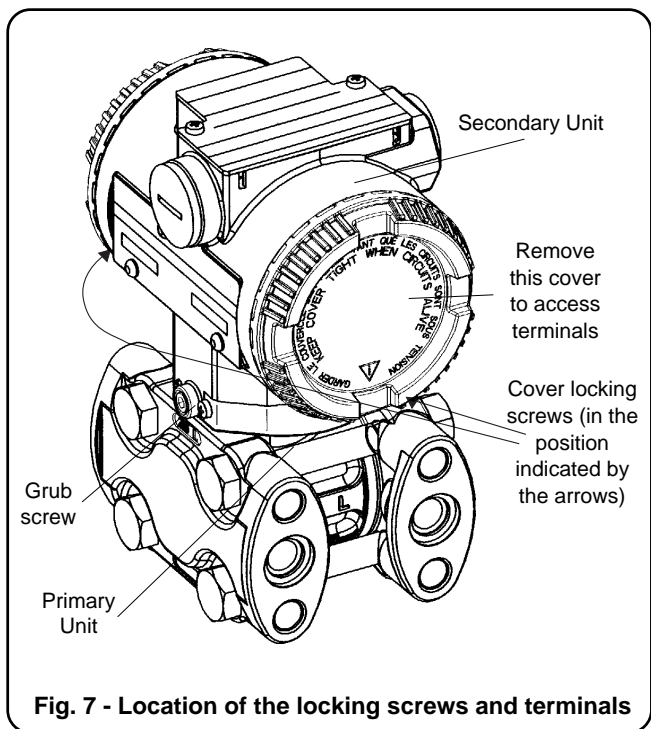


Fig. 7 - Location of the locking screws and terminals

The power to the transmitter is supplied over the signal wiring and no additional wiring is required. The signal wiring does not need to be shielded but the use of a twisted pair is highly recommended. The cable shield should be grounded in one side only, to avoid dangerous earth paths.

WARNING - For Hazardous Areas installations, when the ambient temperature is higher than 70°C, the cable used for the connections must be suitable for 5°C above the ambient temperature.

Normal practice is to ground in the control room side, in which case the field side of the screen should be adequately protected to avoid contact with metallic objects. Signal wiring may be ungrounded (floating) or grounded at any place in the signal loop, but for intrinsically safe installations the wiring and grounding must follow the specific rules for this technique. The transmitter case may be grounded or ungrounded: a ground connection is provided internally (in the terminal compartment) and externally.

Do not run the signal wiring in close proximity to power cable or high power equipment; use dedicated conduits or trays for signal wiring.

CAUTION - Do not connect the powered signal wiring to the mA signal testing terminals as this could damage the by-pass diode.

After the connections have been completed check the integrity of the cover O-ring, screw down the cover and secure it by unscrewing the safety screw.

CAUTION - Unless absolutely necessary, avoid the removal on site of the protective cover which gives access to the electronic circuitry. Although the electronics are fully tropicalized they should not be subjected to humidity for long periods.

WARNING - For Hazardous Areas installations, at least eight (8) threads on each cover must be engaged in order for the transmitter to meet (flameproof - explosion-proof) requirements.

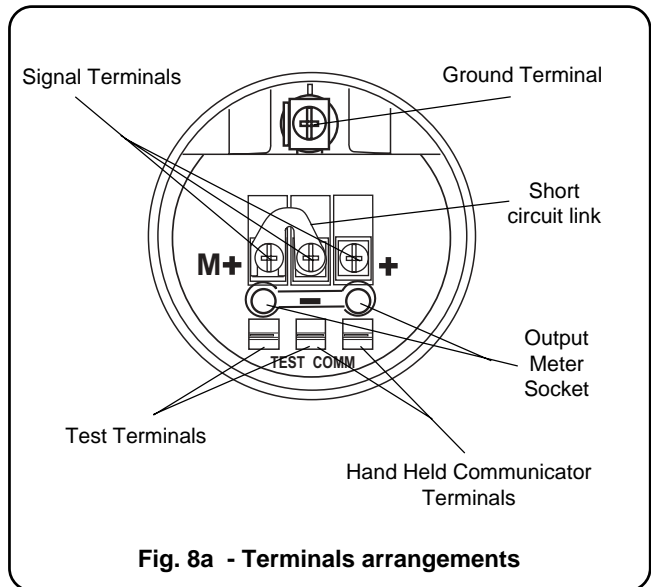
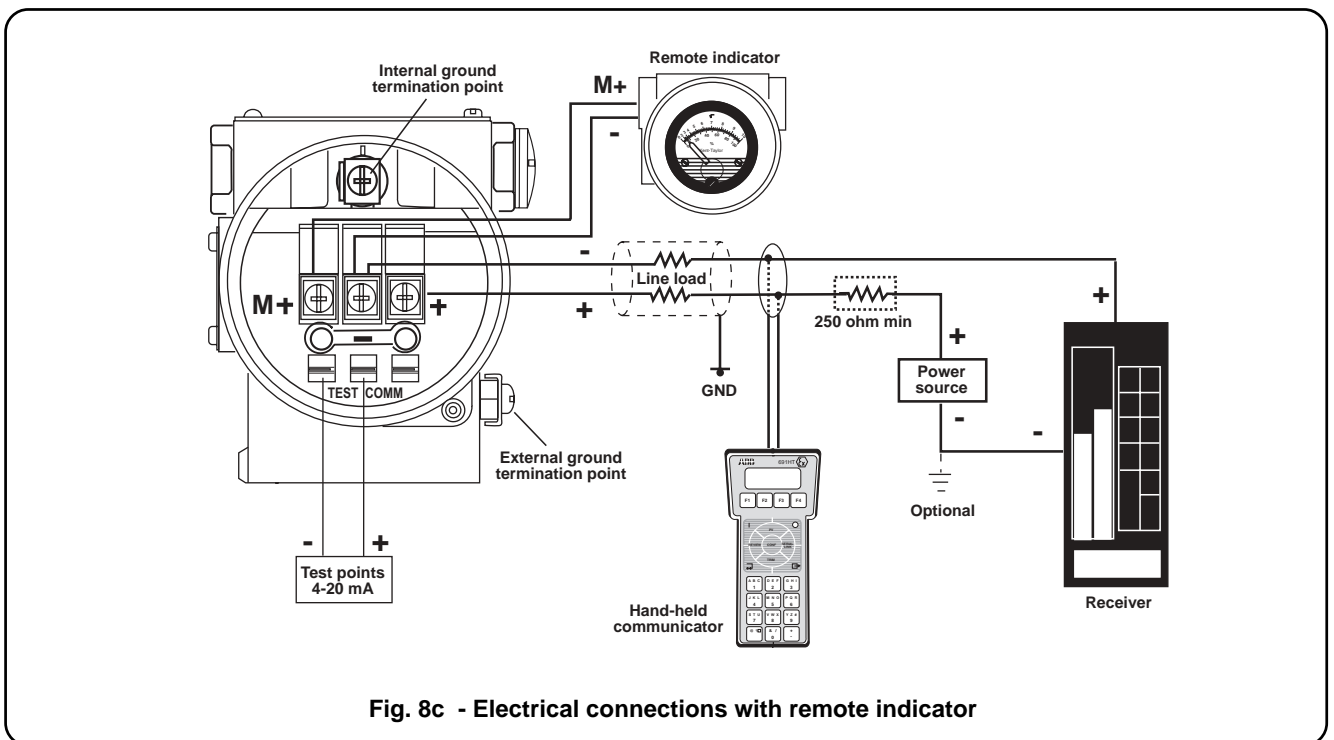
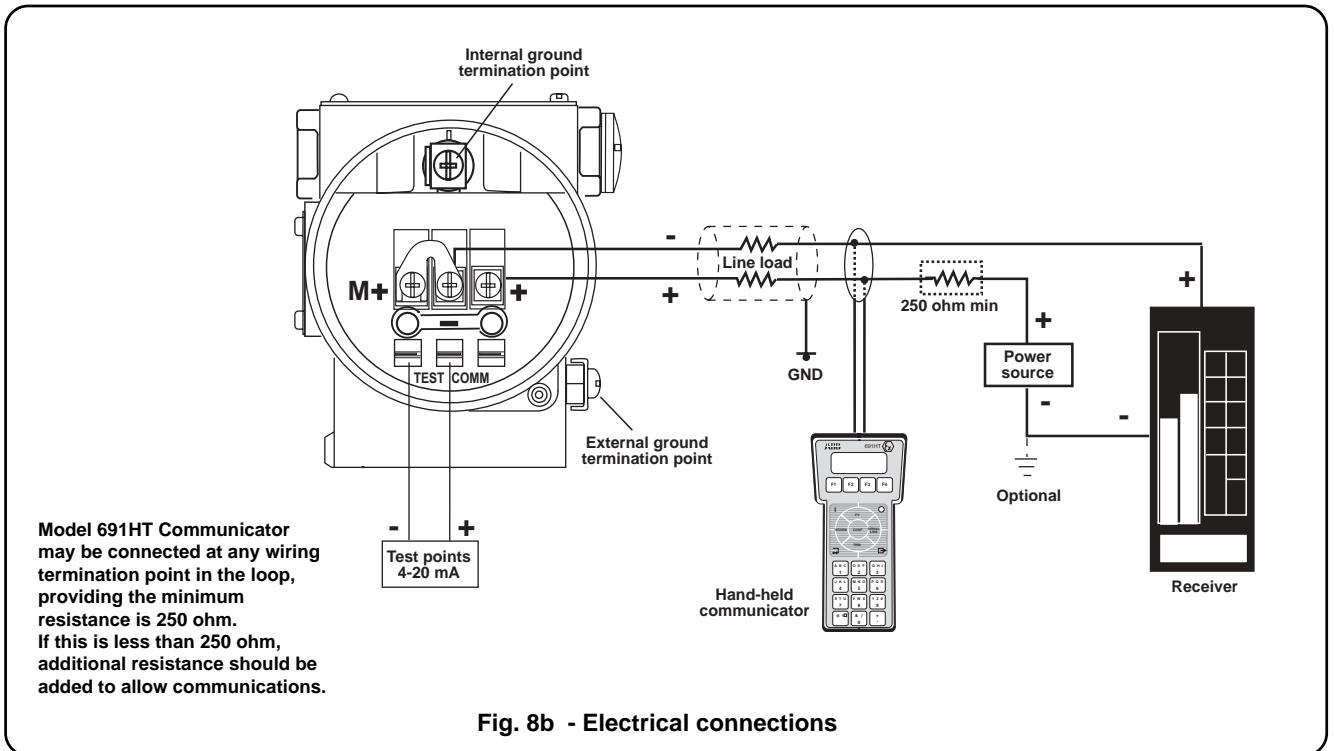


Fig. 8a - Terminals arrangements

WARNING : DO NOT ATTEMPT TO CONNECT AN AMPEROMETER BETWEEN A "TEST" TERMINAL AND A "COMM" TERMINAL. THE RESULT TO THE POWER SUPPLY IS A SHORT WHICH WILL BLOW FUSES AND POSSIBLY DAMAGE YOUR EQUIPMENT, ALSO CAUSING TO INTERRUPT FUNCTION OF OTHER DEVICES POWERED FROM SAME SUPPLY.

NOTE: If the use of the Hand Held Communicator is foreseen, a resistance of 250 ohms minimum **must** be included in the current loop, between the power supply and the connection point of the Hand Held Terminal, for communication purpose.

Here below is given an explanation regarding the possible connection of the terminal block to the power supply and a representation of the connection in case of remote indicator presence.



ELECTRICAL REQUIREMENTS

The transmitter operates on a minimum voltage of 10.5 Vdc to a maximum of 42 Vdc and is protected against polarity inversion.



Note - The transmitter operates from 10.5 to 42 Vdc with no load (additional load allows operation over 42 Vdc). For EEx ia and intrinsically safe (FM, CSA and SAA) approval power supply must not exceed 30 Vdc. In some countries the maximum power supply voltage is limited to a lower value.

Installing optional devices the minimum voltage increases to:

- 10.5 Vdc with no option or with integral digital display
- 10.7 Vdc with output analog indicator
- 12.5 Vdc with LCD ProMeter
- 12.3 Vdc with surge protection
- 13.3 Vdc with LCD CoMeter
- 15.3 Vdc with no link on output indicator plug

The total loop resistance is indicated in the expression below.

$$R \text{ (k}\Omega\text{)} = \frac{\text{Supply voltage} - \text{min. operating voltage (Vdc)}}{22.5}$$

The total loop resistance is the sum of the resistance of all elements of the loop, including wiring, conditioning resistor, safety barriers and additional indicators (excluding the equivalent resistance of the transmitter).

Where a configuration device (HART), such as the Hand Held Communicator or a Modem is likely to be used, a resistance of 250 ohm minimum should be present between the power supply and the point of insertion of these devices, to allow communication.

Several types of safety barriers, either passive or active, can be satisfactorily used in conjunction with the Smart 2600T transmitter. Nevertheless, in case of use of active barriers, check with the supplier if the model is suitable for use with smart transmitters allowing the connection of the configuration devices in the "safe" or non-hazardous area.



Note - For models 262B and 264B the frequency immunity between 150 kHz and 2 MHz with direct coupling and unshielded line is 3 V; with direct coupling and shielded line is 10 V.



WARNING - The transmitter may be used as a safety accessory (as defined by the Pressure Equipment Directive 97/23/EC) i.e. as part of a shutdown system. In this case it is recommended to select the correct fail safe mode for the 4-20 mA signal (as per Namur NE43 recommendation). See also the instructions relevant to fail safe selection (Up/Down scale mode) in the addendum to the instruction manual on "Use of hardware links on the secondary electronics".

RANGE AND SPAN CONSIDERATION

The 2600T Transmitter Specification Sheets provide all information concerning the Range and Span limits in relation to the model and the sensor code.

The terminology currently used to define the various parameters is as follows:

URL : Upper Range Limit of a specific sensor. The highest value of the measured value that the transmitter can be adjusted to measure.

LRL : Lower Range Limit of a specific sensor. The lowest value of the measured value that the transmitter can be adjusted to measure.

URV : Upper Range Value. The highest value of the measured value to which the transmitter is calibrated.

LRV : Lower Range Value. The lowest value of the measured value to which the transmitter is calibrated.

SPAN : The algebraic difference between the Upper and Lower Range Values. The minimum span is the minimum value that can be used without degradation of the specified performance.

TURN DOWN RATIO : is the ratio between the maximum span and the calibrated span.

The transmitter can be calibrated with any range between the LRL and the URL with the following limitations:

$$\begin{aligned} \text{LRL} &\leq \text{LRV} \leq (\text{URL} - \text{CAL SPAN}) \\ \text{CAL SPAN} &\geq \text{MIN SPAN} \\ \text{URV} &\leq \text{URL} \end{aligned}$$

CALIBRATION

Unlike conventional electronic transmitters, the use of a microprocessor and the presence of serial communications between the transmitter and the configuration device, allows the use of several different approaches in calibration and servicing. Different methods can be used to calibrate the Smart transmitter:

- i) using the local keys in the transmitter secondary unit.
- ii) using zero/span raise/lower on transmitter electronics links.
- iii) using the Hand Held Communicator.
- iv) using the Personal Computer Configuration Software Package.

This chapter describes the first method; the others are described next or in the relevant Instruction Manuals of configuration tools.

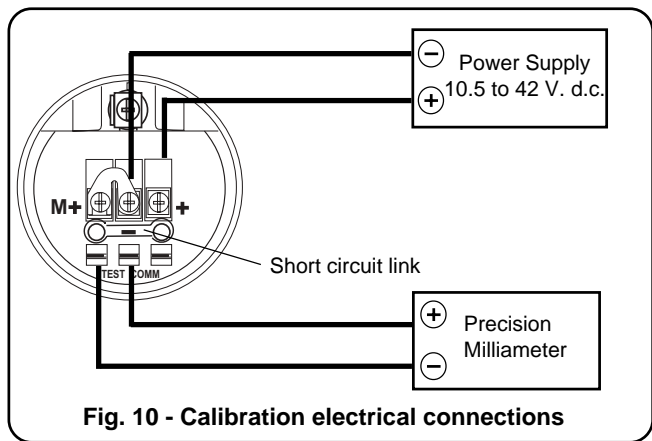
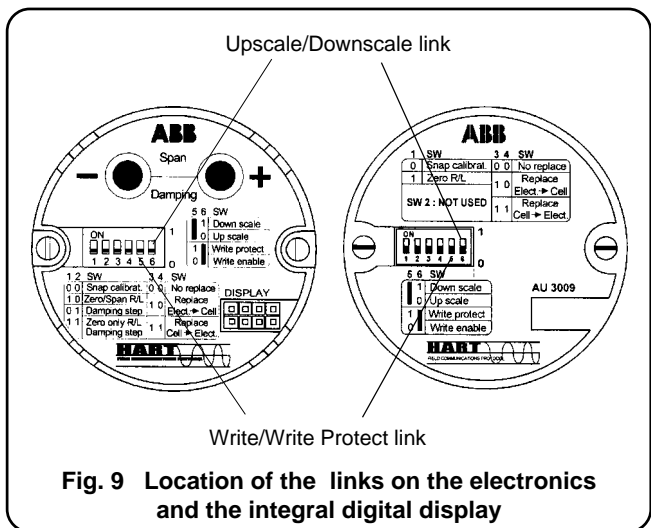
In the addendum (use of hardware links on the secondary electronics) there is an explanation of the raise/lower operation for ZERO and SPAN, which can be done if - and + buttons are present. It is also possible to apply a scaling to the reading of the transmitter. The operation is called PV-scaling and is used to align the "zero" of the process with the "zero" reading of the transmitter. See the description in the Addendum for PV scaling operation.

Note: Unless otherwise specified the instrument is factory calibrated at maximum span with the LRV set to true zero. Instruments adjusted and tagged for a specific range will not require recalibration. **Rezeroing of the transmitter may be required in order to compensate for zero shift arising from the installation.**

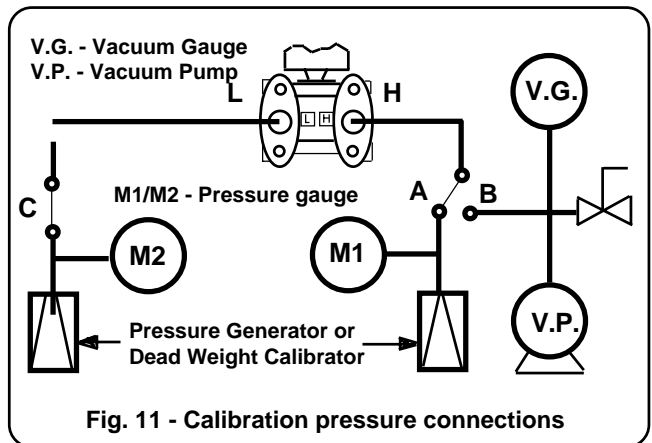
Preliminary operation

Before commencing calibration ensure that:

- i) the required span, the upper and lower range value (URV & LRV) are within the span and range limits (URL & LRL) indicated on the nameplate (please refer to "Range and Span" consideration on the previous page).
- ii) the transmitter is properly powered and the electrical connections correctly made.
- iii) the write protect link, located on the electronics module is in position OFF (write allowed). Access to the link is gained by unscrewing the secondary unit housing cover at the opposite end to the terminal cover, then removing the display if fitted.
- iv) the Upscale/Downscale link is positioned to the required function: ON for Downscale OFF for Upscale (see Fig. 9).
- v) make the electrical connections, as indicated in Fig. 10. Connect a precision milliammeter as shown and **remove the short circuit link.**

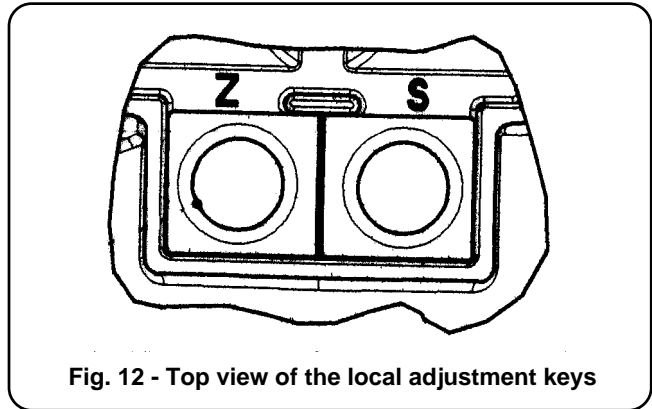


Set up an appropriate test rig in accordance with the required calibration. Figure 11 shows a complete test rig that can be selectively used to suit the calibration.



Note that calibration accuracy is strictly related to the accuracy of the test equipment: the use of a dead weight tester is highly recommended.

The local adjustment keys are located behind the Nameplate. To gain access slacken the nameplate screw and rotate 90°; proceed in the reverse mode when the calibration procedure has been completed. Fig. 12 shows the keys: they provide two large plastic heads that can be pushed, with spring return to normal. The local adjustment can be removed after the calibration, to avoid improper use by inserting a screwdriver blade below the plastic flange and pulling out.



... CALIBRATION

Zero and span - true zero procedure Differential pressure, gauge and level.

- Switch on the power supply.
- With no pressure applied to the transmitters, the value read on the digital milliammeter should be 4 mA ; if it is not 4 mA press the zero screw for at least 1 second. After this operation the reading should move to 4 mA: if no change occurs repeat the operation.
- Apply to the H (high) connection a pressure equal to the upper range value (URV) and allow time for the pressure to stabilize.
- Press the span screw for at least 1 second: after this operation the reading on digital milliammeter should be 20 mA and the calibration procedure is complete. If no change occurs either the calibration procedure was not correctly performed or the span exceeds the limit; correct and repeat the operation.

Absolute pressure

- Switch on the power supply.
- Connect a vacuum source to the process connection and draw the maximum possible vacuum obtainable. The value read on the digital milliammeter should be 4 mA ; if it is not press the zero screw for at least 1 second. After this operation the reading should move to 4 mA : if no change occurs repeat the operation.
- If the value of the calibration span (URV) is less than the atmospheric pressure gently open the vent valve so increasing the pressure to the Upper Range Value. If the calibration span (URV) is greater than the atmospheric pressure then connect the pressure connection to a pressure source and generate a pressure corresponding to the URV. Allow time for the pressure to stabilize.
- Press the span screw for at least 1 second: after this operation the reading on digital milliammeter should be 20 mA and the calibration procedure is complete. If no change occurs the calibration procedure was not correctly performed or the span exceeds the limit; apply the correction and repeat the operation.

Zero suppression procedure Differential pressure, gauge and level.

- Two different methods (a) or (b) can be used :
- a) After completion of the zero and span procedure above, apply to the H (high) connection a pressure equal to the pressure to be suppressed. Allow time for pressure stabilization and then press the zero screw for at least 1 second. After this operation the digital milliammeter reading should be 4mA and the Upper Range Value automatically moved to a value equal to the sum of the pressure to be suppressed and the previous calibrated span.
 - b) Use the zero and span procedure above but apply pressures equal to the Lower Range Value (LRV) and then to Upper Range Value (URV), and pressing, for at least 1 second, the zero and span screws respectively.

Absolute pressure

Use the zero and span procedure as previously described, but apply to the process connection absolute pressures equal to the Lower Range Value (LRV) and then to the Upper Range Value (URV), pressing, for at least 1 second, the zero and span screws respectively.

Zero elevation procedure Differential pressure and level

- Two different methods (a) or (b) can be used :
- a) After completion of the zero and span procedure above apply to the L (low) connection a pressure equal to the pressure to be elevated. Allow time for pressure stabilization and then press the zero screw for at least 1 second. After this operation the digital milliammeter reading should be 4mA and the Upper Range Value (URV) is automatically moved to a value equal to the sum of the pressure to be elevated and the previous calibrated span.
 - b) Use the zero and span procedure above but apply pressures equal to the Lower Range Value (LRV) and then equal to the Upper Range Value (URV) and pressing, for at least 1 second, the zero and span screws respectively. The LRV pressure will be applied to the L connection whereas the URV will be applied to the L or to the H connection depending upon the whether the range is all negative or crosses zero.

Gauge pressure

Apply to the process connection, pressures equal to the LRV and then equal to the upper range value (URV) and correspondingly press the zero and span screws respectively.

★ **Note** - To prevent unauthorized calibration operation refit the write protection link in position ON (Write Protect) (Fig. 9).

★ **Note** - If during the calibration procedure the readings on the digital milliammeter are outside its inherent accuracy, output trimming of the transmitter may be requested. This operation can only be performed using the Hand Held Terminal Communicator or the Personal Computer Configurator. If this equipment is not available the transmitter should be returned to a Service Center for recalibration.

In some cases, especially for tank level measurement, the calibration can also be obtained automatically by the indication of the actual output percentage, without any calculation for LRV and URV. The operation is called Output % Reranging and can be performed using a HART configuration tool (see Output % Reranging in the ADDENDUM FOR FLANGE-MOUNTED TRANSMITTER).

DISMANTLING AND REASSEMBLY

FOR MODELS 262DS/PS/VS and 264DS/PS/VS (Fig. 13a)



WARNING - Process fluids and/or pressure retained in the transmitter primary unit can cause severe injury and death or damage to the equipment. It is the user responsibility to make sure that no pressure is applied before removing the instrument from service or when draining or venting.

Dangerous fluids

In case of toxic or otherwise dangerous process fluid, take any precautions as recommended in the relevant Material Safety Data Sheet.



CAUTION - Dismantling and reassembly should not be carried out on site because of the risk of damage to components and printed circuits as a result of adverse environmental conditions such as humidity, dust, etc. The dismantling and reassembly procedures given below should be carried out in the listed order to avoid instrument damage.

Required tools

- 2 mm Allen key
- 3 mm Allen key
- Small Phillips screwdriver
- Small flat-bladed screwdriver
- 17 mm spanner
- 17 mm torque wrench - (Range > 52 Nm - 39 foot lbs)

Dismantling

- a) Screw down completely the cover locking screw, electronics side, using the 3 mm Allen key
- b) Unscrew and remove the covers
- c) Unscrew the two fixing screws and remove the secondary electronic assembly
- d) Unplug the sensor cable
- e) Remove the tang grub screw using the 2 mm Allen key
- f) Unscrew the housing taking care not to damage the sensor cable or the connector
- g) Loosen and remove the four flange fixing bolts using a 17 mm. spanner.

Reassembly

Check that the "O" rings are not damaged: otherwise replace.



WARNING - Assembling flanges with incorrect fixing bolts and nuts and improper "O rings" can cause fracture or overstressing of bolts and release of pressurized process material. Use only official spare parts (*) included in the supplementary documentation, follow the reassembly procedure herebelow described and do not exceed the specified torque limits. **DO NOT REMOVE** the "O ring" fitted in the sensor neck: it provides the housing a degree of protection.

- a) Refit the flange fixing bolts with a torque of 20 Nm (15 ft lbs) using a 17 mm. torque wrench (52 Nm - 39 ft lbs)
Note: 1 Nm is equivalent to 0.738 ft lbs (8.85 in lbs)
- b) Insert the sensor cable in its recess at the bottom of the housing.
- c) Screw the housing down completely until the nesting of housing/sensor assy is reached, then unscrew by one complete turn maximum. Rotate the topwork in the desired position and lock it with the tang grub screw previously removed.
- d) Plug the sensor cable to the secondary electronics. Fix the electronic circuit by its screws.
- e) Refit the covers and tighten securely.



WARNING - For Hazardous Location installations, at least eight (8) threads on the cover must be engaged in order to meet the flameproof (explosion-proof) requirements.

- f) Unscrew the cover locking screw to secure the covers. This is **mandatory** to meet "**Flameproof requirements**" for Hazardous Areas installation.



PRESSURE TEST WARNING

Once reassembled the process flanges and the transducer, a pressure test is required. At this purpose, apply a hydrostatic pressure of the maximum overrange pressure rating to both process connections simultaneously. Wait for one minute, then verify that no leakages occurred, otherwise repeat the assembly procedure and the pressure test.

(*) The spare parts list is available at: www.abb.com
- searching for: SL262_4D.pdf
or from local ABB representatives.

... DISMANTLING AND REASSEMBLY

FOR MODEL 264BS (Fig. 13b)



WARNING - Process fluids and/or pressure retained in the transmitter primary unit can cause severe injury and death or damage to the equipment. It is the user responsibility to make sure that no pressure is applied before removing the instrument from service or when draining or venting.

Dangerous fluids

In case of toxic or otherwise dangerous process fluid, take any precautions as recommended in the relevant Material Safety Data Sheet.



CAUTION - Dismantling and reassembly should not be carried out on site because of the risk of damage to components and printed circuits as a result of adverse environmental conditions such as humidity, dust, etc. The dismantling and reassembly procedures given below should be carried out in the listed order to avoid instrument damage.

Required tools

- 2 mm Allen key
- 3 mm Allen key
- Small Phillips screwdriver
- Small flat-bladed screwdriver
- 17 mm spanner
- 17 mm torque wrench - (Range > 52 Nm - 39 foot lbs)

Dismantling

- a) Screw down completely the cover locking screw, electronics side, using the 3 mm Allen key
- b) Unscrew and remove the covers
- c) Unscrew the two fixing screws and remove the secondary electronic assembly
- d) Unplug the sensor cable
- e) Remove the tang grub screw using the 2 mm Allen key
- f) Unscrew the housing taking care not to damage the sensor cable or the connector.

Dismantling the process flanges

If remote seals are fitted do not dismantle the flanges!

1. Unscrew the process flange screws diagonally opposite each other (13mm Allen key for hexagon screw).
2. Carefully remove the flanges so as not to damage the isolating diaphragms.
3. Using a soft brush and a suitable solvent thoroughly clean the isolating diaphragms and, if necessary, the process flanges. Do not use sharp or pointed tools.

Reassembly

Check that the "O" rings are not damaged: otherwise replace.



WARNING - Assembling flanges with incorrect fixing bolts and nuts and improper "O rings" can cause fracture or overstressing of bolts and release of pressurized process material. Use only official spare parts (*) included in the supplementary documentation, follow the reassembly procedure herebelow described and do not exceed the specified torque limits. **DO NOT REMOVE** the "O ring" fitted in the sensor neck: it provides the housing a degree of protection.

- a) Renew the process flange O-rings.
(Spare Parts Data Sheet 15-9.01 EN).
- b) Fit the process flanges onto the measuring cell. Take care not to damage the isolating diaphragms.
Note: The flange faces of the 2 process flanges must be in one plane and at right angles to the electronic enclosure.
- c) Check that the process flange screw thread moves easily: Tighten the nut by hand as far as the screw head.
If this is not possible, use new screws and nuts (Spare Parts Data Sheet 15-9.01 EN).
- d) Lubricate the screw threads and contact faces of the screwed joint with, for instance "Anti-Seize AS 040 P" (Supplier: P.W. Weidling & Sohn GmbH & Co. KG, An der Kleimannbrücke 49, D 48157 Münster).
With cleanliness stages, the corresponding regulations must be observed, e.g. DIN 25410!
- e) Firstly tighten the diagonally opposite flange screws or nuts to the initial torque specified in the table 3 below using a torque wrench.

Process flange-O-ring material	Initial torque	Tightening angle
Perbunan Viton EPDM	10 Nm	180° divided into two steps of 90°

Table 3: Initial torque / Tightening angle

Then tighten fully by continuing to turn each diagonally opposite screw or nut gradually, as specified in the table 3, through the specified tightening angle.

- f) Check for leaks. Apply pressure with max. 1.3 x SWP for the model 262/264 BS where the pressure has to be applied simultaneously to both sides of the sensor.
- g) Insert the sensor cable in its recess at the bottom of the housing.
- h) Screw the housing down completely until the nesting of housing/sensor assy is reached, then unscrew by one complete turn maximum. Rotate the topwork in the desired position and lock it with the tang grub screw previously removed.
- i) Plug the sensor cable to the secondary electronics. Fix the electronic circuit by its screws.
- j) Refit the covers and tighten securely.



WARNING - For Hazardous Location installations, at least eight (8) threads on the cover must be engaged in order to meet the flameproof (explosion-proof) requirements.

- k) Unscrew the cover locking screw to secure the covers. This is **mandatory** to meet "**Flameproof requirements**" for **Hazardous Areas** installation.



PRESSURE TEST WARNING

Once reassembled the process flanges and the transducer, a pressure test is required. At this purpose, apply a hydrostatic pressure of the maximum overrange pressure rating to both process connections simultaneously. Wait for one minute, then verify that no leakages occurred, otherwise repeat the assembly procedure and the pressure test.

(*) The spare parts list is available at: www.abb.com
- searching for: SL262_4D.pdf
or from local ABB representatives.

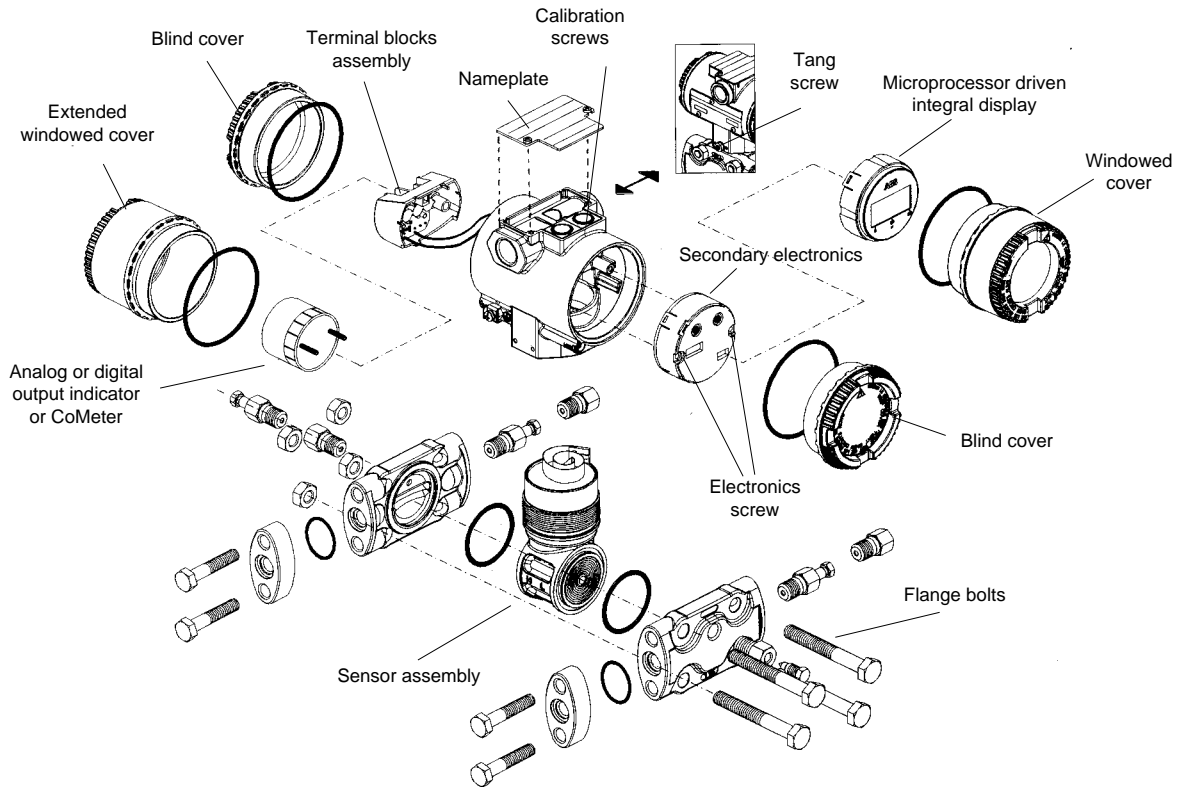


Fig. 13a - Transmitter Sectional View for models 262DS/PS/VS and 264DS/PS/VS

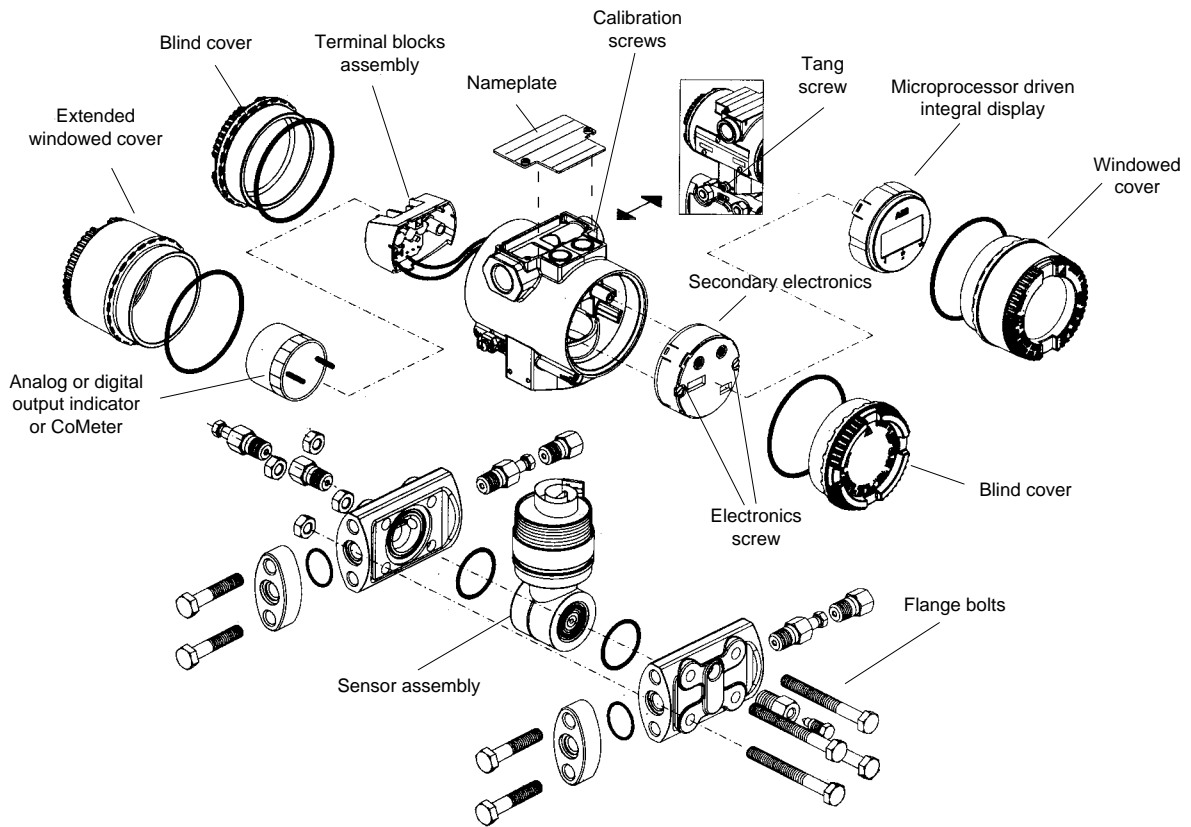


Fig. 13b - Transmitter Sectional View for model 264BS

SIMPLE FAULT FINDING (HART)

This part is applicable only for a quick fault finding in the case that the Hand Held Terminal or the P.C. Configurator Package are not available.

If the transmitter does not appear to be working satisfactory, carry out the following fault finding checks before contacting your nearest Service Centre.

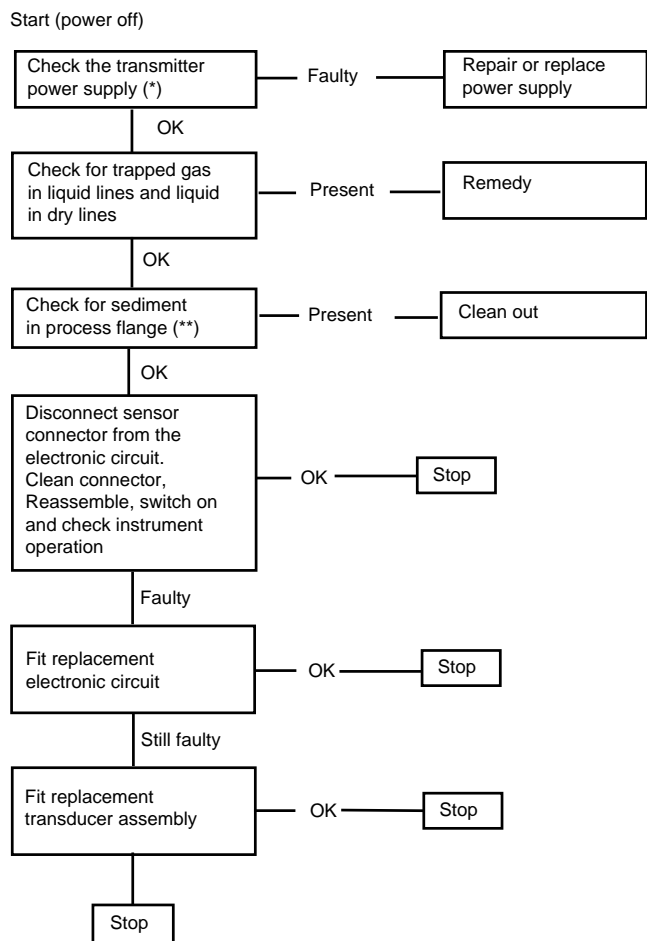
If the instrument is to be returned for repair, ensure that it is adequately packed using the original polystyrene box or high density chip foam: **the trouble sheet/returning form should be sent with the instrument, filled in all its parts.** If the transmitter needs to be dismantled follow the procedures of the previous section.

WARNING : If the transmitter forms part of a control loop, the plant must be placed under local manual control while the instrument is examined or taken out of service. Take all precautions to avoid damages caused by pressure or dangerous fluids release.

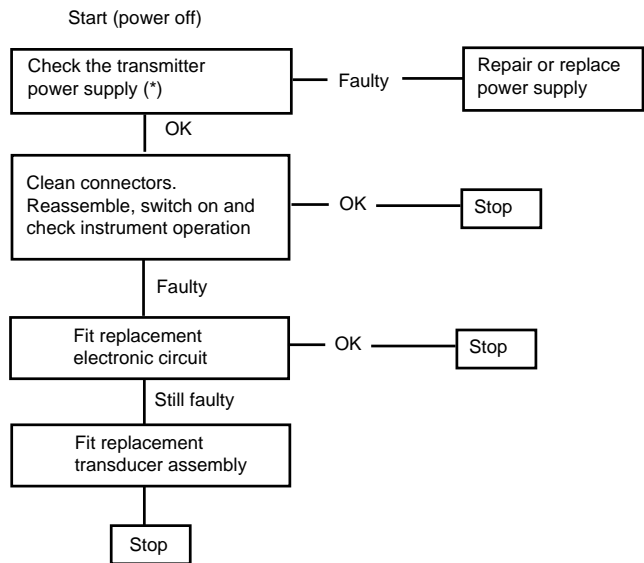
Equipment needed

Voltmeter , milliammeter (0 to 100 mA d.c.), solvent contact cleaner.

High, Low or Irregular Output



No output



WARNING - If the transmitter needs to be repaired, the faulty unit/assembly must be replaced by an equivalent unit/assembly.

(*) If the source of the problem is suspected to be the power supply, check it by disconnecting the wires from the transmitter and testing the volts available at the wires.

(**) If there are sediments in process flanges they must be cleaned, if inevitable flanges have to be removed. Before reassembly pay attention to the O-ring: Teflon O-ring probably requires to be substituted. Refer to dismantling and reassembly section for these operations.

ADDENDUM FOR "METERS" OPTION OF THE TRANSMITTERS

GENERAL DESCRIPTION

This option provides four different indications (meters) inside the transmitter housing. Three meters, "output meters", can be mounted on the terminal block (field terminals) side; the first is of "analog" type, the second is of "digital" type (LCD, ProMeter) and the third is the CoMeter. All are operated by the output signal of the transmitter. The fourth meter, "integral digital display", is mounted on the electronics side: it is of "digital" type (LCD, 4-digit), microprocessor driven. The integral digital display has 4 different mounting positions. The analog meters can be rotated to exactly match the mounting position of the transmitter.

ANALOG OUTPUT METER

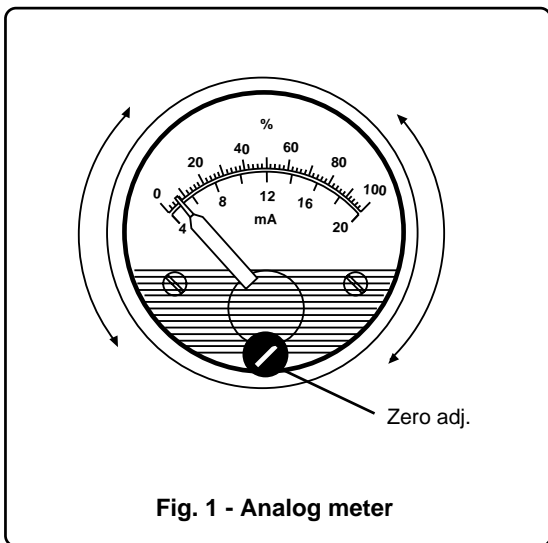
The analog output meter provides a 90° scale indication. It has either a 0 to 100 linear scale or a 0 to 10 square root scale.

ANALOG OUTPUT METER CALIBRATION

The calibration of the analog type meter only involves zeroing. Fig. 1 shows the analog output meter and the location of the zero adjustment.

The calibration is quite simple using one of the following methods:

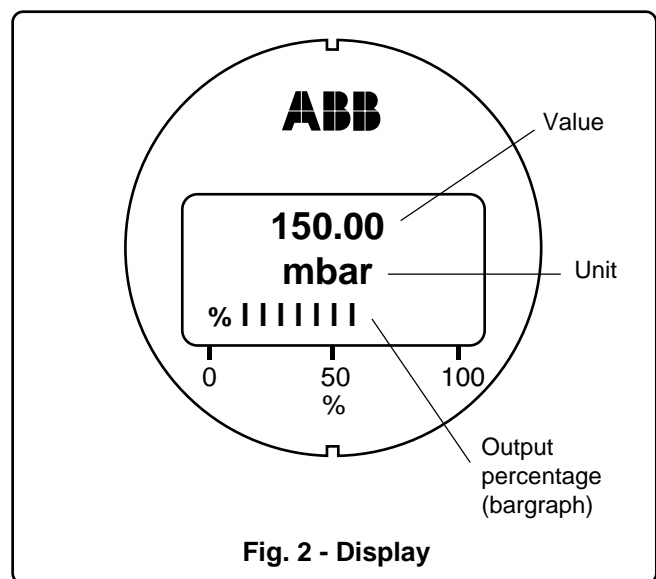
- with the loop unpowered adjust the zero screw to read exactly the **true zero** mark on the scale (Fig. 1).
- with the transmitter transmitting 4 mA adjust the zero screw to read exactly the **live zero** of the scale.



INTEGRAL DIGITAL DISPLAY MICROPROCESSOR DRIVEN

On the Secondary electronics can be fitted an integral digital display.

It can be used, together with local keys, for transmitter configuration, as well as for display various type of information, from Process Variable to output percentage.



In addition, also diagnostic information are provided, in the way that only the highest priority message will appear and when it disappears, other message, next in priority order, will be given. Here follows a list of error and warning message, in priority order:

- "ELECTRONIC FAIL"
- "SENSOR INVALID"
- "SENSOR FAIL"
- "PV SENS OUTLIM"
- "STATIC PRESS"
- "SENS TEMP"
- "OUT SATUR"
- "OUT FIXED"
- "DAC OUTRANG"

These indication are self explanatory as far as the possible repair action is concerned.

The integral digital display is an option for the 2600T series transmitter. When it is fitted on the transmitter, the latter automatically detects the presence and allows the use of local keys for operations with the display.

The first message that is given, when the display is fitted or at power on is: ABB - HART. Then the indication selected and the bargraph appear, as in the next example.

... ADDENDUM FOR "METERS" OPTION OF THE TRANSMITTERS

General notes:

To enter the main menu the two local keys must be pressed together, and for at least two/three seconds.

The two keys can be then used in the same way (pressed for more than two seconds) to obtain an ENTER key.

For the ESCAPE key they must be pressed together for only one second.

The use of a single key corresponds to the NEXT and PREV keys and more precisely, the ZERO key for NEXT and SPAN key for PREV. The correct execution causes a VALID message to be displayed, otherwise the message is INVALID.

The following table summarize the main action and message.

Zero key and Span key for three secs.	Enter MAIN MENU and ENTER KEY
Zero key and Span key for only one sec.	ESC key
VALID	Message for OK action
INVALID	Message for action rejected
Zero key	NEXT key
Span key	LAST key

The available options are:

REVIEW: allows the examination of data and parameters

DspCnf: allows the selection of parameter to be displayed and the scale definition

DevConf: allows the transmitter configuration

SEE_VAR: allows the display of primary and secondary variables

SIMUL: allows the simulation of the analog output and the output trimming

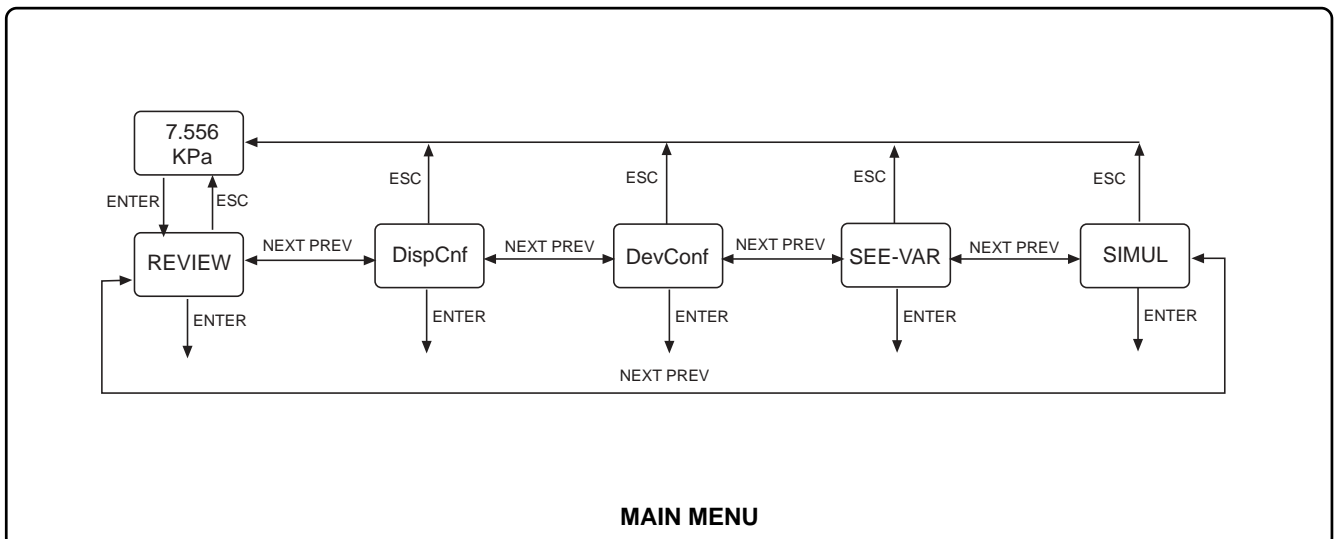
For the change of the numeric values, the position is initially given by the flashing of the digit that can be increased or decreased by the NEXT and PREV key.

Next is the decimal point that can be selected or removed with the NEXT and PREV key.

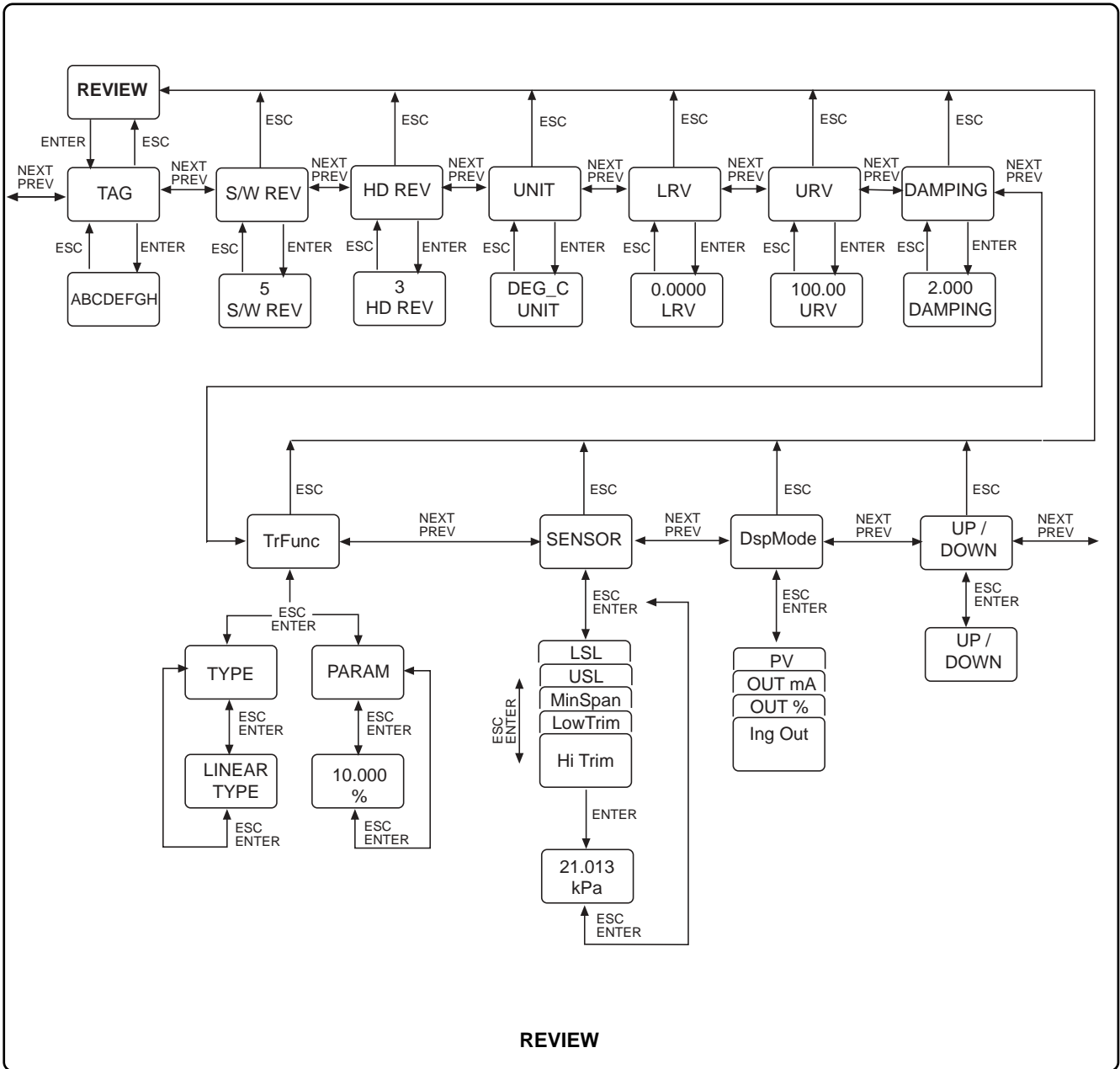
The ENTER key is used to shift to the next digit, and the ESC key is used to shift to the prev digit.

For the change of the units or another parameter single use the NEXT and PREV key.

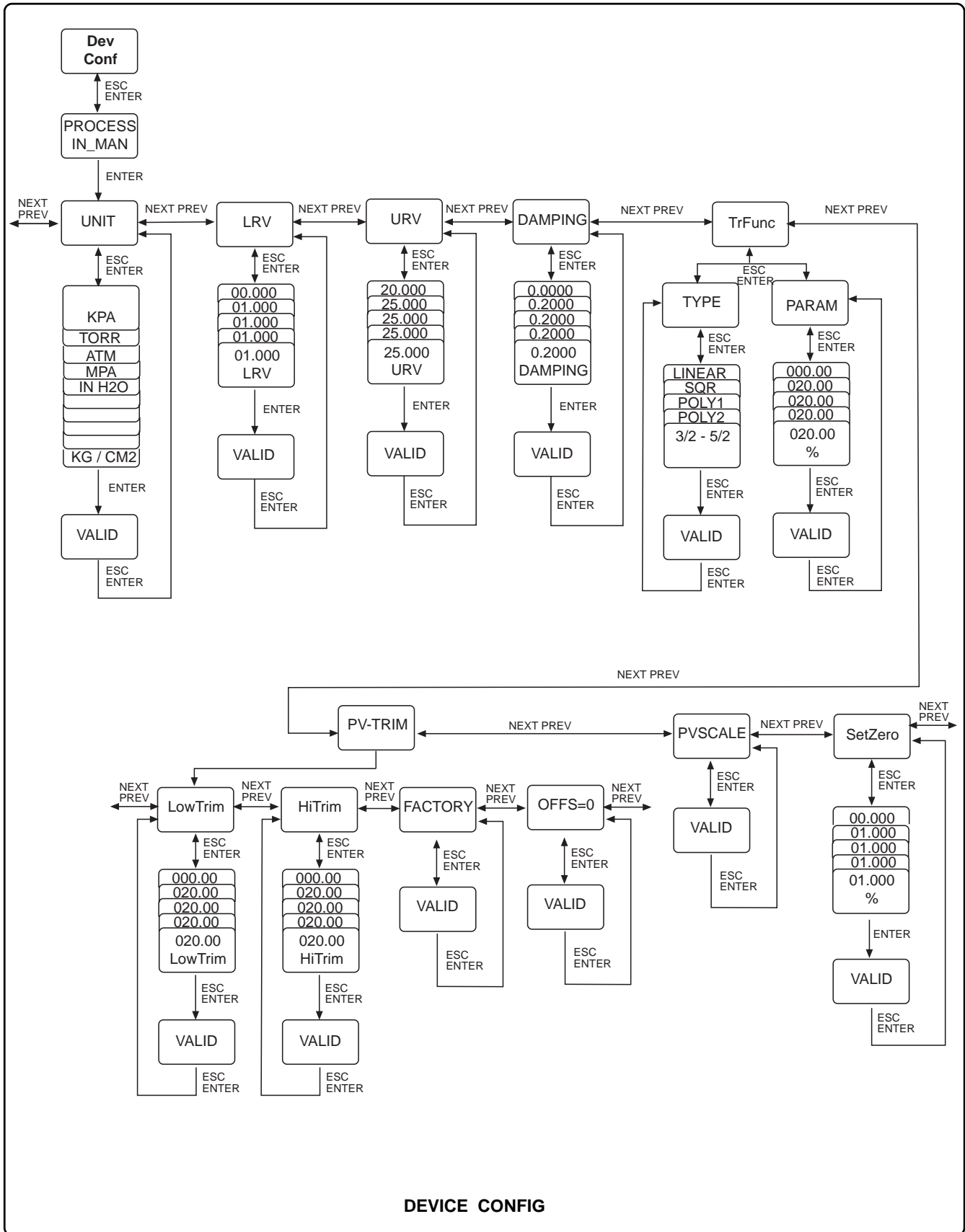
Refer to the following diagrams for operations.



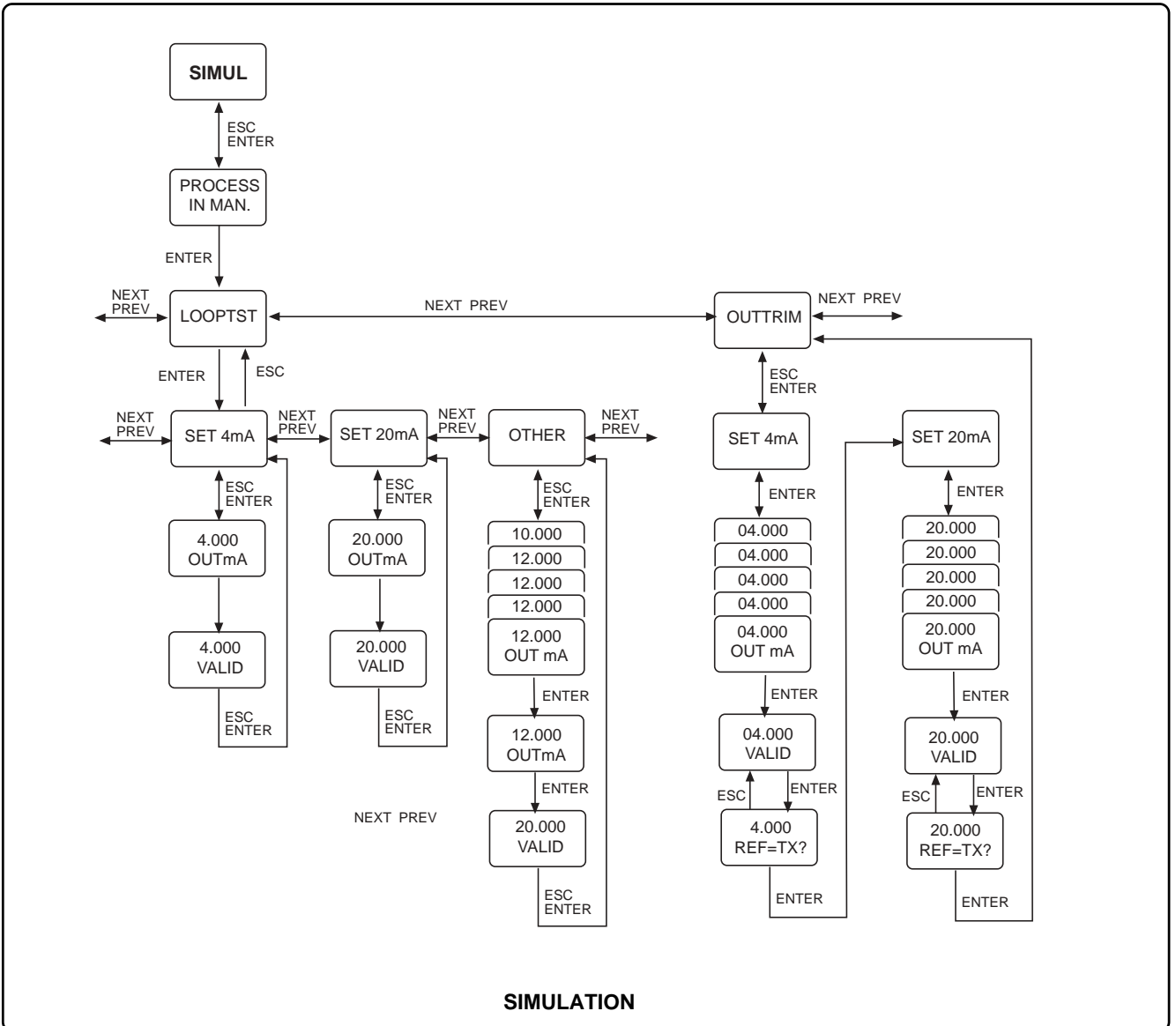
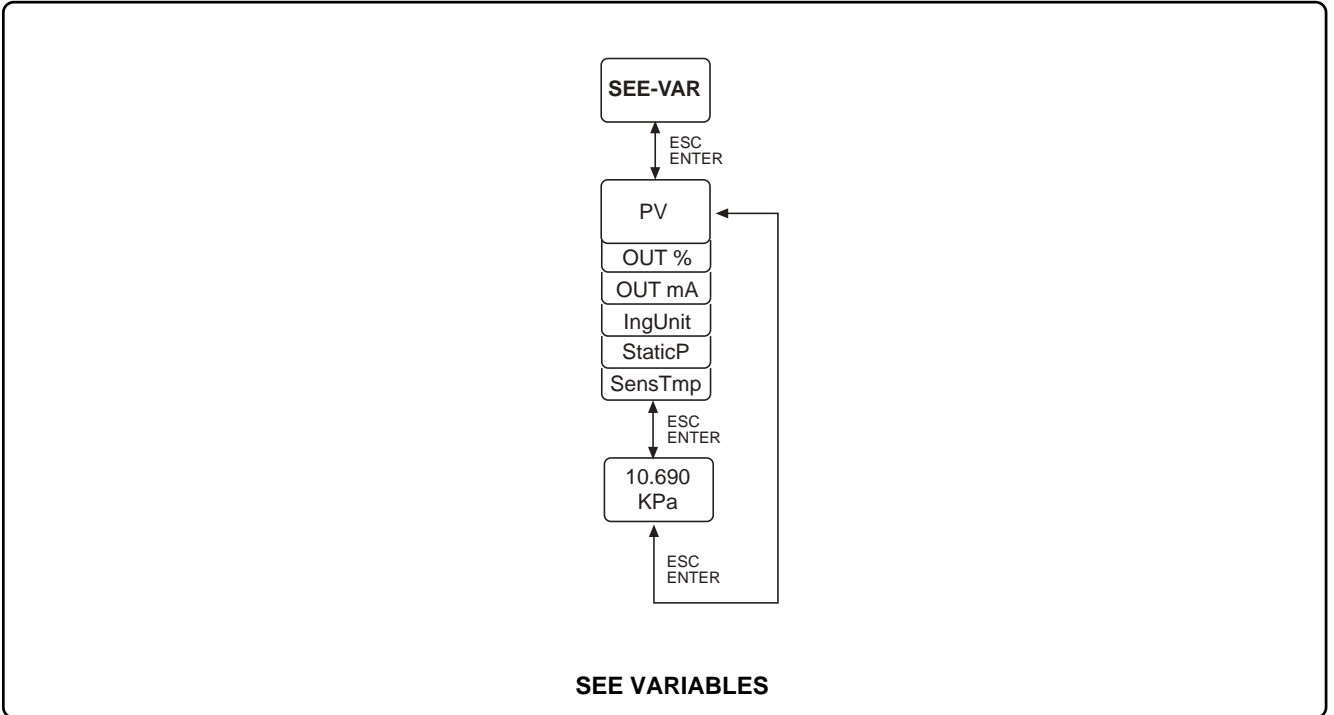
... ADDENDUM FOR "METERS" OPTION OF THE TRANSMITTERS



... ADDENDUM FOR "METERS" OPTION OF THE TRANSMITTERS



... ADDENDUM FOR "METERS" OPTION OF THE TRANSMITTERS



... ADDENDUM FOR "METERS" OPTION OF THE TRANSMITTERS

METER INSTALLATION OR REPLACEMENT

WARNING - If the transmitter is not certified as Intrinsic Safety type, DO NOT REMOVE ANY COVER in areas classified as "HAZARDOUS LOCATIONS: CAN RESULTS IN HAZARD OF FIRE AND EXPLOSION". Contact your Safety Dpt. in order to establish correct installation procedure.

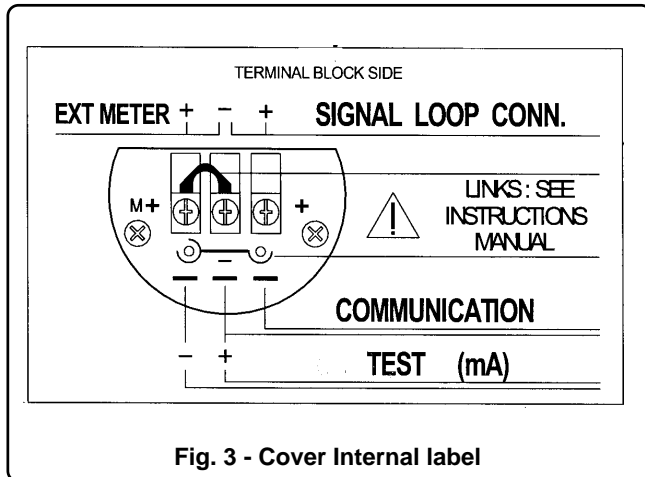


Fig. 3 - Cover Internal label

ANALOG OR DIGITAL OUTPUT METER

To install (or to replace) the meter, use the following procedure:

- 1) If the transmitter is part of a control loop, put the loop in manual.
- 2) Remove the cover on the terminal block side; inside of which is affixed the label shown in Fig. 3.
- 3) Remove the link shown on the label by pushing down at its left extremity and then its right. Alternatively it can be removed on the left side only in preparation for a further refit.
- 4) Plug the meter into the socket. The digital indication meter can rotate, for easy viewing, in 15° steps, 90° degree clockwise and 255° counterclockwise. Further rotation causes damage to the meter stops or to the "banana" connections and should be avoided. Note that considerable effort must be applied for 15° rotation. The analog output meter can also rotate for easy viewing.
- 5) Check that the cover O-ring gasket is properly in place, screw on the extended windowed cover and tighten properly.

To remove the meter simply pull it out from the socket and fit a replacement following the above procedure.

CAUTION - If the meter is removed, ensure that it is replaced immediately by another one or with the proper link provided. **This operation is important for I.S. loop operation.**

INTEGRAL DIGITAL DISPLAY MICROPROCESSOR DRIVEN

The Microprocessor Driven Integral Display can be installed simply by plugging it into the connector provided in the secondary electronics and replacing the blind cover with a windowed one. To provide an easy view, the indicator can be installed in 4 different positions, in steps of 90°. The indicator is provided with 4 female connectors, equally spaced at 90°, while the secondary electronics is provided with one female connector, marked "METER". An 8 pin insert, supplied with the meter, should be positioned in order to connect the two female connectors with the indicator in the required position.

Proceed as follows:

- 1) **Switch Off the transmitter power supply**
- 2) Remove the blind cover in the electronics side. Verify the correct position of the hardware links (Refer to the proper ADDENDUM).
- 3) Fit the insert in to the electronics connector, place the indicator in the required position, check that the connectors match, and push, with both thumbs, until the two parts hook together.
- 4) Screw on the windowed cover.
- 5) Switch on the transmitter power supply

To replace a Microprocessor Driven Integral Display proceed as follows:

- 1) **Switch Off the transmitter power supply**
- 2) Remove the windowed cover in the electronics side. Lift gently the 4 plastic hooks and disengage the display from the secondary electronics.

Proceed now as indicated at point 3) to 5) above and don't forget to adjust the hardware links on the display.

ADDENDUM FOR COMETER - ANALOG LCD INDICATOR WITH HART PROGRAMMING CAPABILITY AND PROMETER - PROGRAMMABLE INDICATOR

The name **CoMeter** is an acronym for **COMMUNICATING METER**. The name **ProMeter** stands for **PROGRAMMABLE METER**.

It can be connected, plug & play, into the standard terminal block of the 2600T Series Pressure Transmitter.





It is capable to provide both reading and configuration operations, when used in connection with the analog-only version, the ProMeter is only indicator.

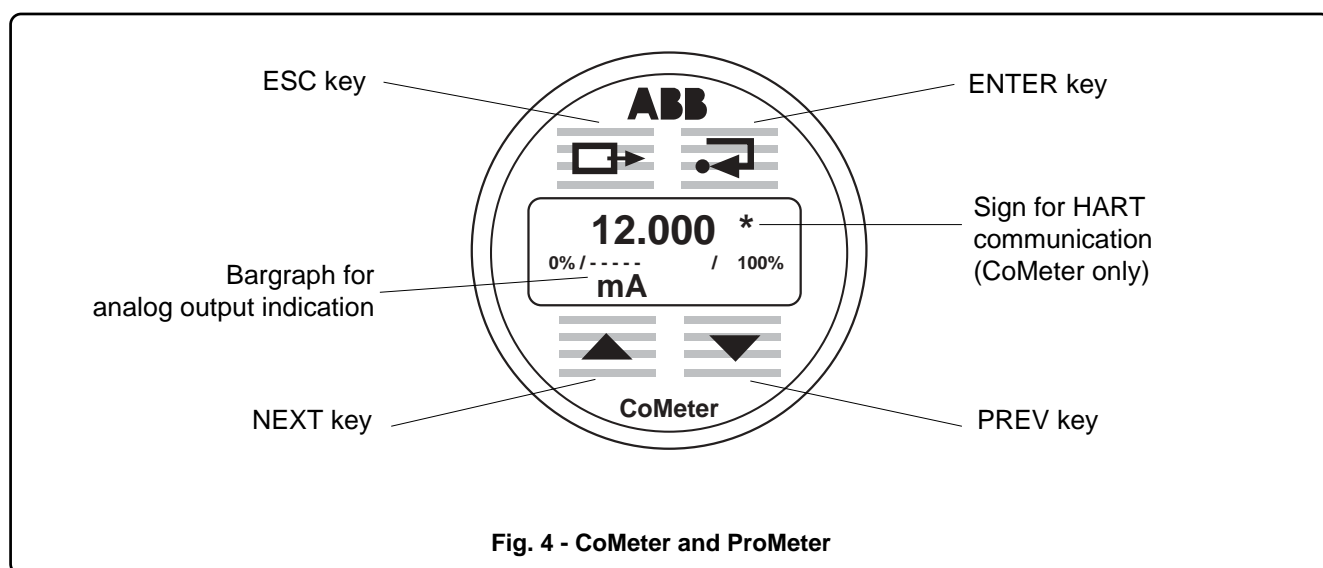
The LCD display has three lines; the first one is used for 5 numeric characters, up to 99999, plus a minus (-) sign on the left and a star (*) sign, up on the right, to indicate HART communication is in progress; the second line is a 10 segments bargraph used to show the output, from 0% to 100% in 10% steps;

the third line is used for seven alphanumeric characters to display units or messages.

In addition to the display the plastic membrane has 4 push buttons used for programming and for menus navigation.

And more precisely, they are:

- top left position: **ESCAPE** key 
- top right position: **ENTER** key 
- bottom left position: **NEXT** key 
- bottom right position: **PREVIOUS** key 



The normal operating condition for the CoMeter is to display the analog output signal of the transmitter, expressed in milliAmpere (this is the default setting), or in percentage or in engineering unit, with all the units available as for the HART Communication Protocol.

In addition to the indicator functionality, the CoMeter can be used as a configuration tool, where both the CoMeter itself and the transmitter can be configured.

In the CoMeter, in fact, two are the main menu : "**ConF METER**" and "**ConF XMTR**".

ACCESS TO CONFIGURATION

To enter these menù, in both configurators, the keys **PREV** and **NEXT** must be pressed simultaneously for 3 seconds, then the user can switch between the XMTR and the METER configuration using the NEXT and the PREV key. In the ProMeter entry is directly in Manual Configuration, as shown in the next page.



NOTE: when the Configuration action is finished, remember to press the **ESC** key to return to display the previous selected value.

ConF METER - METER CONFIGURATION

PASSWORD

The access to the configuration menus can be protected by a 5 digits numeric password.

It is under the ConF METER menu that the password can be defined and enabled.

See figure 5 for the access to the "**ConF PASSWORD**" menu. Once you have entered the "ConF PASSWORD" menu the cursor is blinking on the most significant digit.

Press **ENTER**, if you want to change the digits, initially set to zero (0).

Use the **NEXT** and **PREV** key to increase or decrease the value of the single digit, use the **ENTER** key to move the cursor to the next digit, use the **ESC** key to move back to the previous digit. When the string "**UPDATE?**" appears on the display you can use the **ENTER** key to accept the new password or the **ESC** key to abort the password definition.

When all digits are set to zero, the password is disabled.

ADDENDUM FOR COMETER - ANALOG LCD INDICATOR WITH HART PROGRAMMING CAPABILITY AND PROMETER - PROGRAMMABLE INDICATOR

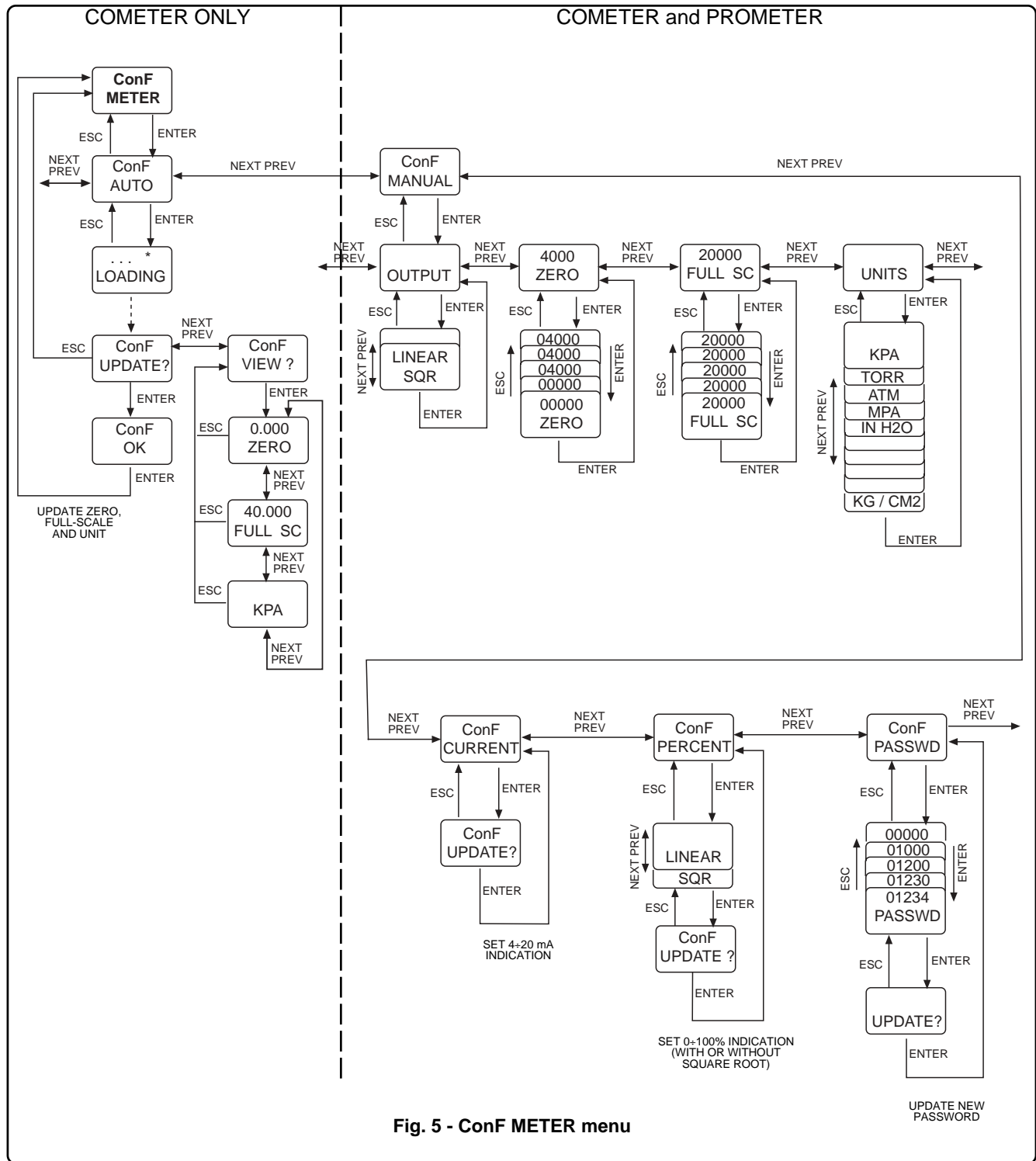


Fig. 5 - ConF METER menu

The other options under ConF METER menu are:

ConF AUTO

By selecting this option, the CoMeter is automatically updated with the LRV, URV and Unit of the HART transmitter connected. Before accepting the transmitter configuration by pressing ENTER at the request "ConF UPDATE?", it is possible to view the LRV (ZERO), the URV (FULL SC) and the UNIT. If the output transfer function of the transmitter is not linear, ProMeter and CoMeter show the message: **ConF NO_LIN** and the user cannot update the configuration. It is necessary to change the output transfer function of the transmitter to linear. See Fig. 5 - "ConF METER" menu, for ConF AUTO procedure.

ConF MANUAL

The selection of MANUAL configuration allows the user to define manually CoMeter and ProMeter configuration, i.e. define the LRV (ZERO), the URV (FULL SC), and the UNIT, as well as to decide for a LINEAR on SQR output function. LRV and URV can have a value between -99999 and +99999. Refer to Fig. 5 - ConF METER menu for detail on the procedure. For having the CoMeter to display the analog output current or the output percentage, select respectively:

ConF CURRENT and ConF PERCENT

ADDENDUM FOR COMETER - ANALOG LCD INDICATOR WITH HART PROGRAMMING CAPABILITY AND PROMETER - PROGRAMMABLE INDICATOR

Under **CONF PERCENT** option, the user can decide for linear or SQR output. When SQR output is selected, the output is linear from 0 to 20% (to 4% of input). Refer to Fig. 5 - ConF METER for details on the procedures.

ConF XMTR - TRANSMITTER CONFIGURATION (CoMeter only)

Four are the operations under the ConF XMTR menu: **CONF, TRIM, REVIEW** and **PV**.

By pressing ENTER on the ConF XMTR menu, the string **LOADING** appears on the display, with the blinking star (*) indicating communication activity, i.e. the CoMeter is reading the transmitter information.

Then the **CONF** option appears.

Using PREV or NEXT key, the user can select **CONF, TRIM, REVIEW** or **PV** option, and with the ENTER key he moves into the menu.

When entering CONF and TRIM menu a message "**LOOP IN_MAN**" appears to remind that a modification can change the transmitter output, so for security the loop should be put in Manual.

See below a list of the available operation under the selected option:

CONF menu	TRIM menu	REVIEW menu	PV menu
Change LRV Change URV Change DAMPING Change UNITS Change OUTPUT	Reranging (RERANG.) Loop test (LOOPST) Output trim (OUTTRIM) Zero adjustment (SNSZERO)	TAG 8 Final Assembly Nr. (XMTR N.) Sensor Serial Nr. (SENS N.) Up/Down scale (UP/DOWN) UNITS LRV URV LRL (See Sensor Units) URL (See Sensor Units) DAMPING OUTPUT	Primary variable (PRIMARY) Secondary variable (2ND) Tertiary variable (3RD) Fourth variable (4TH)

Use PREV or NEXT key to scroll through the options and ENTER key to change or view the values.

The procedure to change the numeric value remains the one already explained for PASSWORD operation, i.e., the cursor starts blinking on the most significant digit, then use the NEXT and PREV key to increase or decrease the value of the single digit (the minus sign(-) automatically appears or disappears when the value increases above 9 or decreases below 0, as well as for the decimal point(.). Use the ENTER key to move the cursor to the next digit, use the ESC key to move back to the previous digit. An ENTER on the last digit will cause the value to be sent to the transmitter.

Refer to figures 6, 7, 8 and 9 for details.

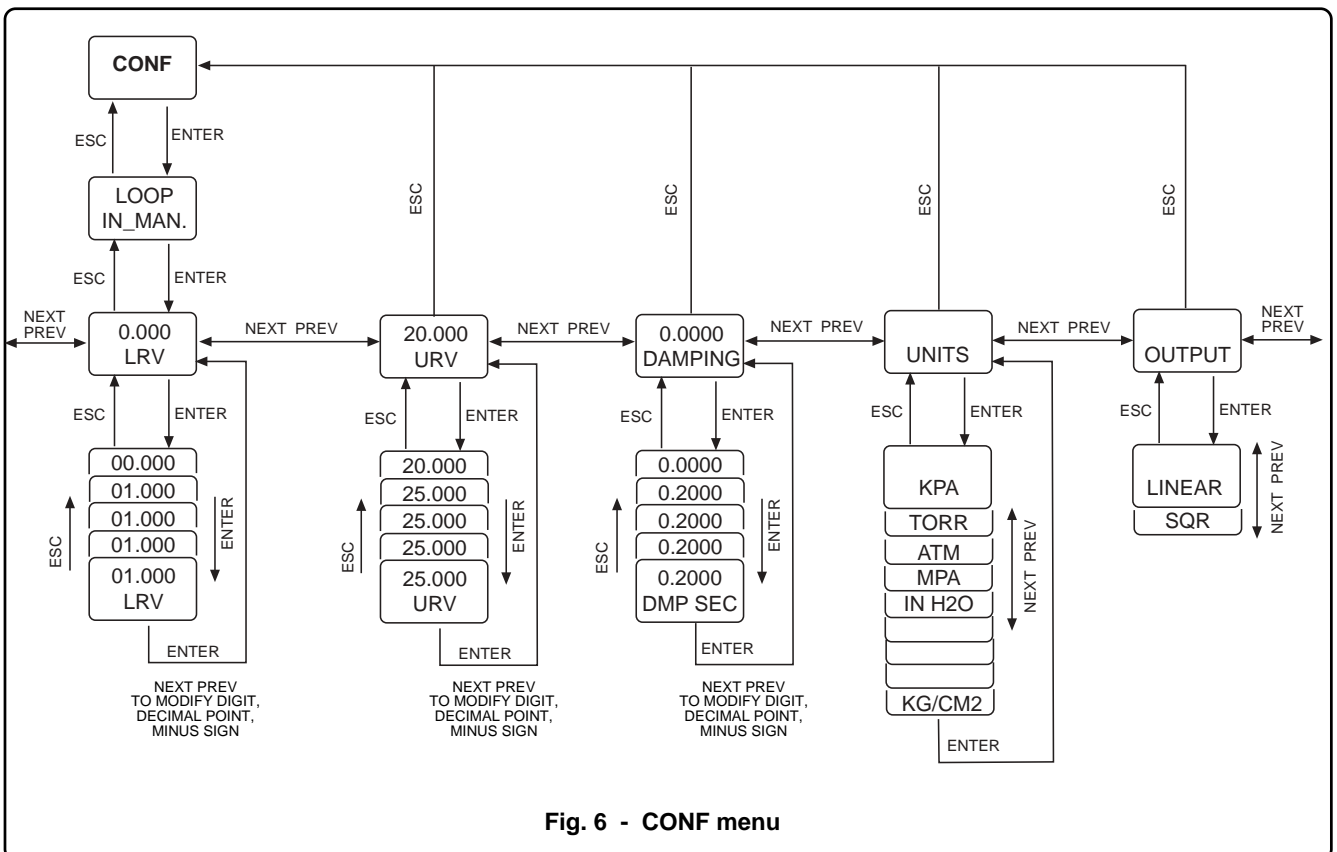


Fig. 6 - CONF menu

ADDENDUM FOR COMETER - ANALOG LCD INDICATOR WITH HART PROGRAMMING CAPABILITY AND PROMETER - PROGRAMMABLE INDICATOR

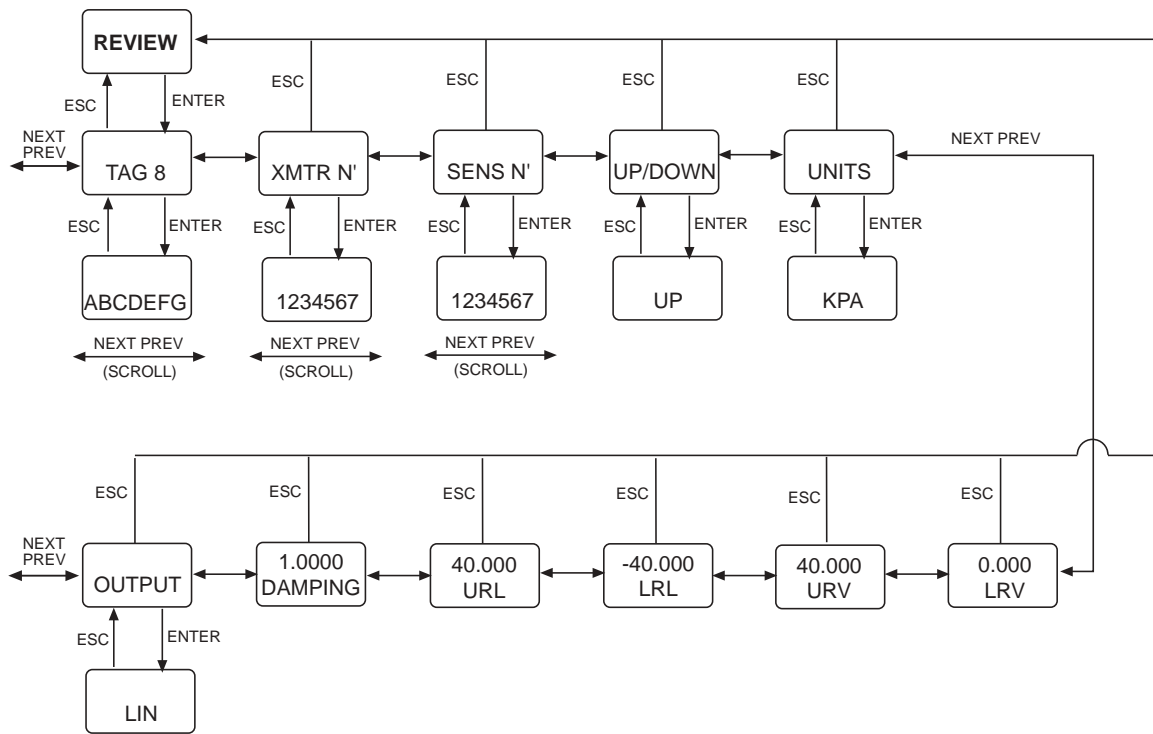


Fig. 8 - REVIEW menu

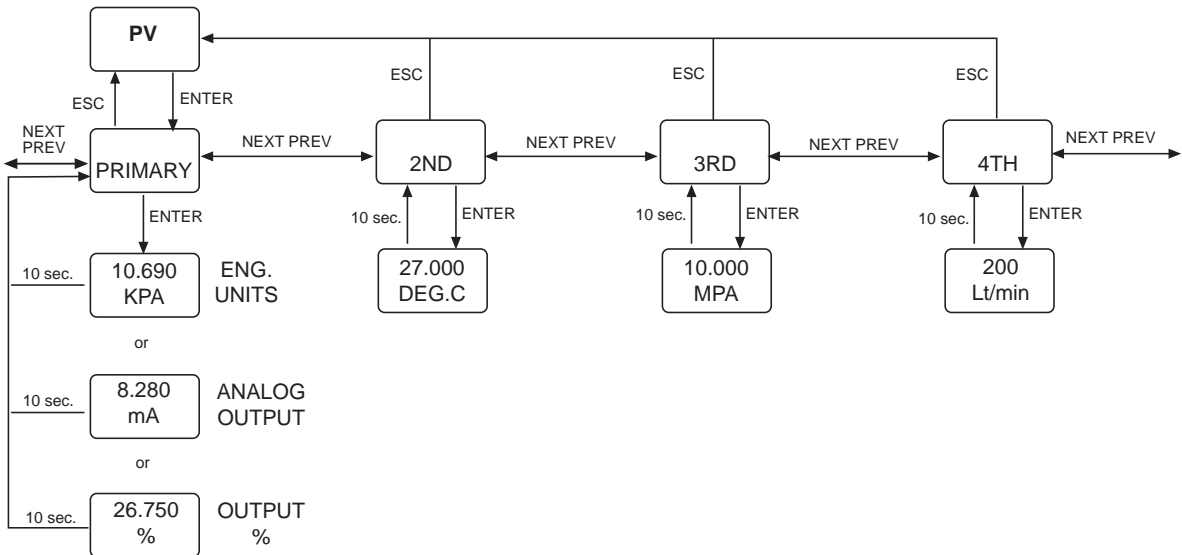


Fig. 9 - PV menu

ADDENDUM FOR PV-SCALING OPERATION

PV-scaling operation can be used to align the "zero" of the process with the "zero" reading of the transmitter. A configuration tool must be used to perform this operation through digital communication.

There are two different ways to perform a PV-scaling.

Method 1: apply to the transmitter a pressure that corresponds to the scaling value (offset) you have to apply to the reading and perform the operation using the configuration tools. The operation is called SET PV ZERO (see example 1).

Method 2: calculate the scaling value (offset) and apply it to the transmitter following the operation available on the configuration tool. With this method it is possible to perform a scaling operation even for a value different than zero. The operation is called SET PV VALUE (see example 2).

Effect of the PV-scaling operation:

An example can better explain the effect of the scaling action.

Example n° 1

the transmitter is calibrated at:

LRV = 0 mbar

URV = 200 mbar

the transmitter model has the following limits of operation:

LRL = -400 mbar

URL = +400 mbar

For the effect of a transmitter's capillary, connected to a tank, there is a pressure of 80 mbar when the tank is empty, i.e. the transmitter's reading is 80 mbar.

In order to eliminate the pressure caused by the fluid inside the capillary, you can perform a PV scaling for compensating/scaling the reading for these 80 mbar. The result of this operation is:

the transmitter's reading is now 0 mbar.

offset is -80 mbar and must be considered that while the limits of the transmitter remains:

LRL = -400 mbar

URL = +400 mbar

and the calibration does not change

LRV = 0 mbar

URV = 200 mbar

The configuration tool allows you to evaluate the new operative limits:

operative LRL = -480 mbar

operative URL = +320 mbar

Example n° 2

the transmitter is calibrated at:

LRV = 0 mbar

URV = 200 mbar

the transmitter model has the following limits of operation:

LRL = -400 mbar

URL = +400 mbar

the transmitter is reading:

PV = 100 mbar

and you know the process value is 50 mbar.

You can apply this 50 mbar for your PV scaling operation, with similar effect as per the previous example:

PV reading = 50 mbar

offset = 50 mbar so that while the limits of the transmitter remains:

LRL = -400 mbar

URL = +400 mbar

with no change for the calibration, the configuration tool allows you to display the new operative limits:

operative LRL = -450 mbar

operative URL = +350 mbar

When requested it is possible to reset the value actually applied as offset.

When an offset is defined, the trimming operations are disabled and can be rehabilitated only by eliminating the scaling, i.e. setting the offset to 0.

ADDENDUM FOR "SURGE PROTECTION" OPTION OF THE TRANSMITTERS



WARNING - Note for Hazardous Area Installation

For the Pressure Transmitter with surge protector must be additional considered:

- 1 The transmitter has to be supplied from a voltage source which is safely separated from mains (galvanic separation).
- 2 The potential equalization for the entire cable link must be guaranteed since the intrinsic safety circuit of the transmitter is grounded.

GENERAL DESCRIPTION

This option provides a built-in surge protection circuit.

The surge protector is designed to dissipate large quantities of electrical energy which have been induced in a transmission line. The option is suitable to protect up to 2500 V (5 kA discharge current) of 8 μ s rise time/20 μ s decay to half value.

These large quantities of energy can be induced in the signal transmission line by lightning discharge in the area or by nearby electrical equipment.

The dissipation of this energy prevents damage to transmitter circuitry connected to the transmission line.

The surge protector will not protect the instrument in case of a direct lightning strike.

The surge protector board is located inside the terminal block of the transmitter (see drawing).

The circuit is designed to operate and recover automatically. It does not require periodic testing or adjustment.

FITTING PROCEDURE (See Fig. 1)



CAUTION : This procedure should not be carried out on the field site.

- a) Remove the transmitter cover of the field connections side.
- b) Unplug the built-in indicator, if present.
- c) Unscrew the two Phillips screws (M 4 x 18 mm) which secure the terminal block and pull it off the housing.
- d) Unweld the + and - wires which connect the two RF (radio frequency) filters, on the back of the terminal block.
- e) Fit properly the surge protector p.c. board and secure it by a self-tapping screw (M 2.9 x 6mm)
- f) Secure the two +/- eyelet terminals to +/- holes on the back of the terminal block, by a welding operation.
- g) Secure the two +/- wire eyelet terminals of the RF filters to the +/- bushes of the p.c. board by a welding operation.
- h) Connect the wire eyelet terminal of the Surge Protector to the dedicated ground connection below terminal block, using a provided self tapping screw M4x8 mm and relevant washers.
- i) Reinstall the terminal block and stick on the notice label in the proper position.
- l) Plug the built-in indicator, if used.
- m) Refit the cover.

Refer to Fig. 1 and also follows the indication in the figures 2a and 2b.

In the first one (2a) you can see the terminal block connection when there is no surge protector applied.

In the latter (2b) you can see the terminal block connection when surge protector is in!



NOTE - The Surge Protector is suitably provided with the necessary installation screws and the notice label.

Adding the unit to an existing transmitter will affect the power supply requirement for a minimum added operating voltage of 1.6 V d.c.

... ADDENDUM FOR "SURGE PROTECTION" OPTION OF THE TRANSMITTERS

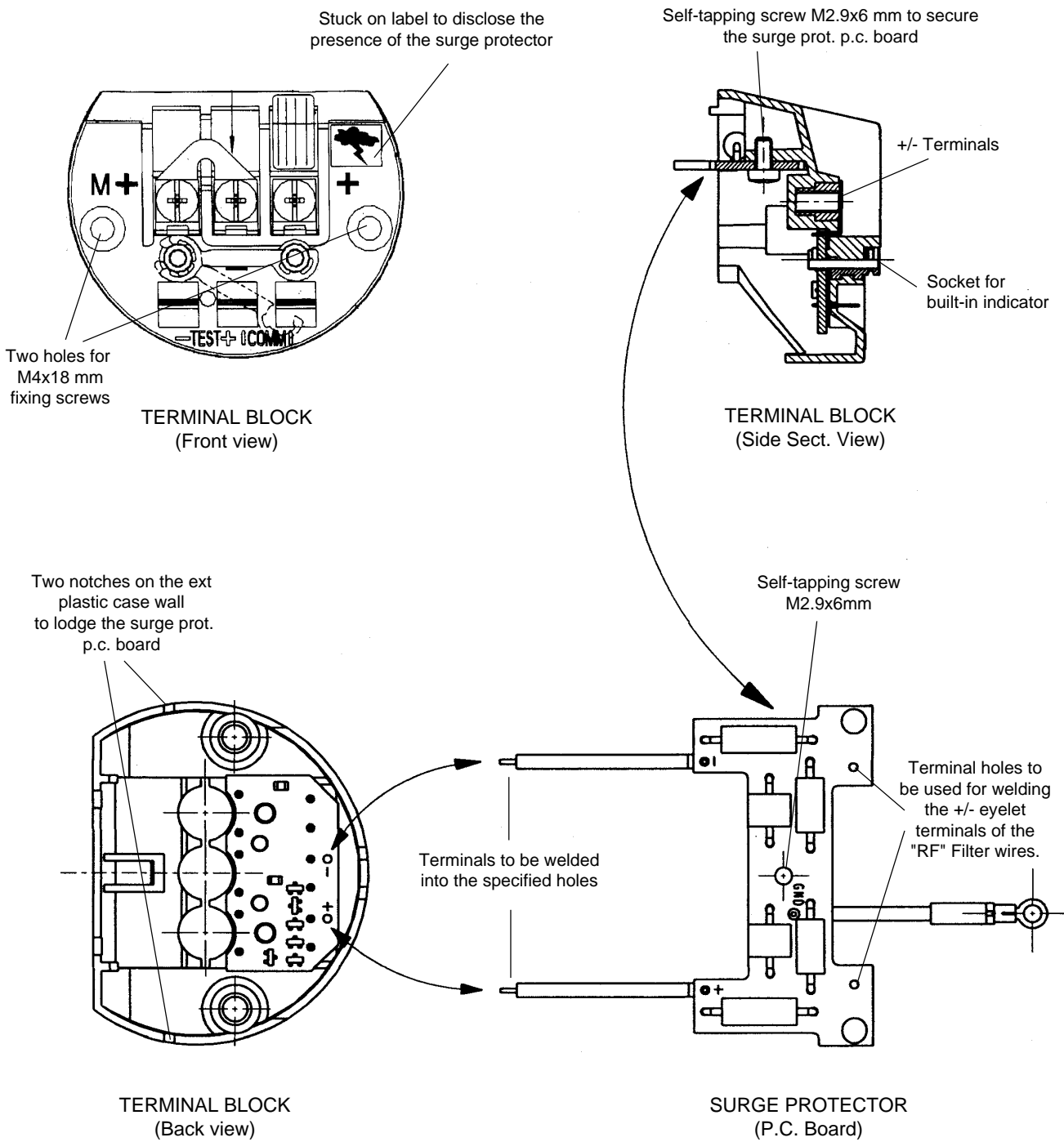


Fig. 1 - SURGE PROTECTOR

... ADDENDUM FOR "SURGE PROTECTION" OPTION OF THE TRANSMITTERS

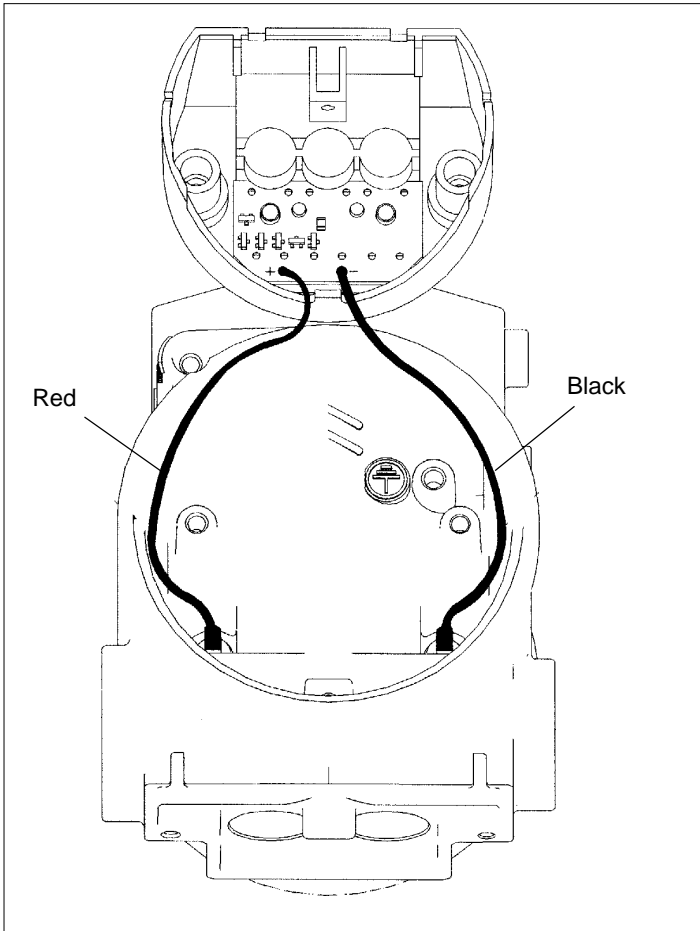
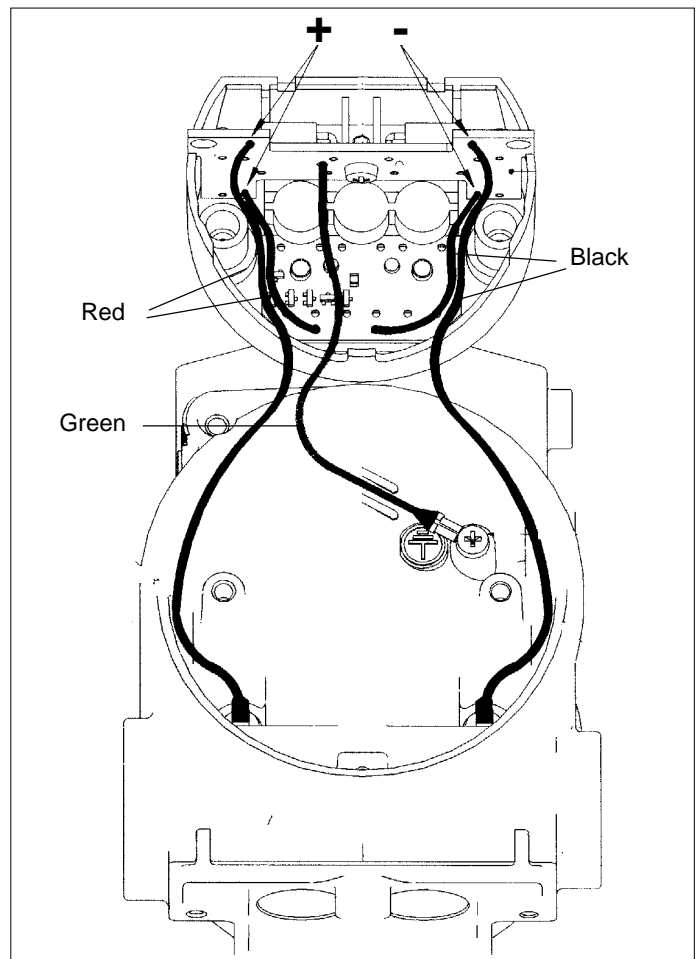


Fig. 2a
Connection for terminal block and housing.

Note: Before to fix the terminal block to the housing put the two wires in the position as shown above, in order to avoid any damages.

Fig. 2b
Connection for terminal block and housing, with surge protection.

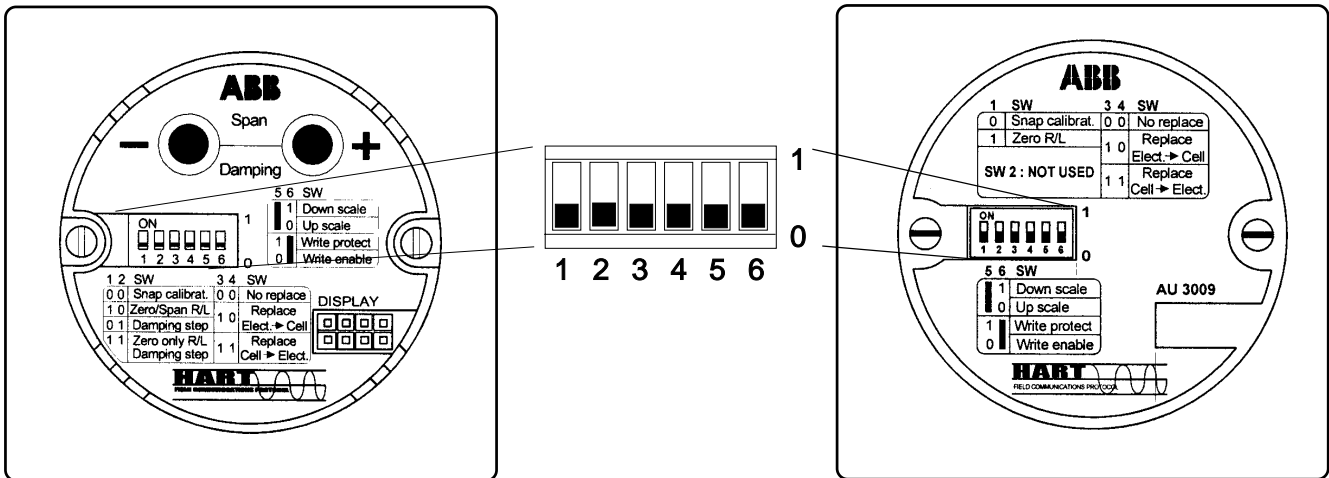
Note: Before to fix the terminal block to the housing put the two wires in the position as shown above, in order to avoid any damages.



ADDENDUM USE OF HARDWARE LINKS ON THE SECONDARY ELECTRONICS

The two possible secondary electronics are shown in the figures.

There are 6 dip switches located on the secondary electronics as indicated below; they are used for settings when integral digital display is not available.



Switch 1 and 2 are used for Snap Calibration, Zero and Span Raise/Lower and also for Damping step.

Switches 3 and 4 are used for Electronics or Transducer replace

Switch 5 is for Write Protect mode selection

Switch 6 is for Up/Down Scale selection

Now follows a description of the operations, remarking that functionalities related to usage of - and + buttons can be done only if secondary electronics is fitted with them.



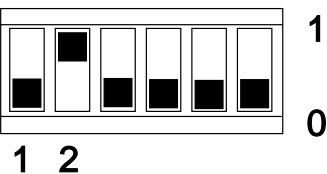
ZERO / SPAN SNAP CALIBRATION

With switches 1 and 2 down in position, ZERO and SPAN local adjustment, located below the nameplate of the transmitter housing can be used for ZERO (4-mA point), and SPAN (20 mA point), adjustment, i.e. range calibration.



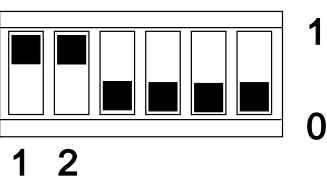
ZERO / SPAN - RAISE / LOWER

When switch 1 is moved on "1" position, ZERO/SPAN Raise/Lower is active. The usage of - and + buttons on the secondary electronics causes respectively an increment and a decrement of the SPAN value (URV); ZERO and SPAN local adjustment under the nameplate allows ZERO value (LRV) increment or decrement.



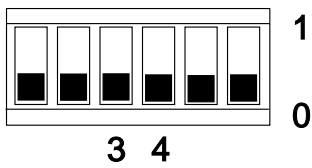
DAMPING RAISE / LOWER

With switch 2 up in "1" position, DAMPING Raise/Lower is active. Use - button and + button if present on the secondary electronics to respectively decrement and increment the damping value. Acceptable values for damping are: 0 - 0,25 - 0,5 - 1 - 2 - 4 - 8 and 16. For secondary electronics without - and + buttons the damping can be changed using PC tools or hand held terminal.



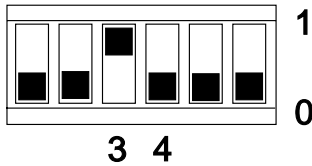
ZERO / DAMPING - RAISE / LOWER

When switches 1 and 2 are up in "1" position, both ZERO and DAMPING Raise/Lower can be performed. Use - button and + button on the secondary electronics to respectively decrement and increment the damping value. Use ZERO and SPAN local adjustment under the nameplate for ZERO value (LRV) increment or decrement.

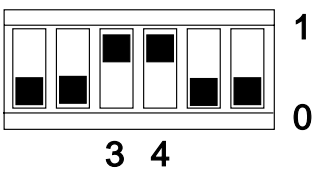


REPLACE

Usually switches 3 and 4 are down in "0" position. They are moved when a replace operation is required.

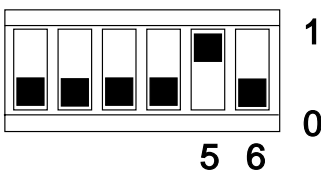


Switch 3 up in "1" position is required before power up the transmitter, when a replace is being performed. Switch 4 down in "0" position allows the replace of the transducer.



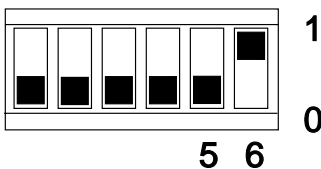
Switch 4 up in "1" position allows the replace of the secondary electronics. It must be moved in this position, when electronics replace is being performed, before power up the transmitter.

AFTER ANY REPLACE OPERATION IT IS RECOMMENDED TO MOVE DOWN IN "0" POSITION THE RELEVANT SWITCHES.



WRITE PROTECT mode

With the switch 5 up in ON position the write protect mode is active. It is a way to protect the device from any change: configuration data and parameters cannot be modified.



UP/DOWN SCALE mode

The switch 6 defines the fail safe output condition in case of transmitter failure:

- In the ON position the output is Down (below 4 mA and more precisely 3,7 mA);
- In the OFF position the output is UP (above 20 mA and more precisely 22 mA)



NOTE: The message **WRITE DISABLE** appears on the integral digital display when Write Protect Link is in Protect position. The message **ZERO DSBL** or **SPAN DSBL** appears on the integral digital display when ZERO and SPAN local adjustment are disable. Zero and Span can be disabled using a HART configuration software.



NOTE: Typically the Up/Down scale mode is activated when there is a failure in the physical elements of the sensor and on the electronics of the device, and more precisely:

- 1) Values in the sensor database are corrupted;
- 2) EEprom of Primary Electronic (sensor) is failed;
- 3) Values of Primary variables are out of limits;
- 4) Digital to analog converter (DAC) circuit is out of range.
- 5) ASIC - (Integrated circuit) of sensor is failed.
- 6) ASIC - (Integrated circuit) of electronics is failed.

These failure will cause diagnostic messages to appear on the integral digital display:

- 1) ELECTRONIC FAIL
- 2) SENSOR FAIL
- 3) SENSOR INVALID
- 4) DAC OUTRANG

ADDENDUM FOR DIFFERENTIAL PRESSURE TRANSMITTERS: SELECTABLE OUTPUT FUNCTIONS

GENERAL DESCRIPTION

The 2600T Series Differential Pressure Transmitter provides a selection of output functions, as follows:

Linear	for differential pressure or level measurements
Sq. Root (x)	for flow measurements using restriction type primary element, like orifice plate, integral orifice, Venturi or Dall tube and similar.
Sq. Root (x³)	for open channel flow measurements using rectangular or trapezoidal weir
Sq. Root (x⁵)	for open channel flow measurements using V-notch (triangular) weir.
Polynomial	for input linearization using a 5th-order polynomial function
Costant current	for loop or associated equipment test.

where |x| and output are in the range 0 to 1 (0% to 100%).

Figure 1 shows the Input/output relationships with the different Square Root Options applied.

These output functions can be activated using a Configuration Tool like the Hand Held Communicator, a HART Universal Communicator or a Personal Computer, carrying the Smart Configuration Program, connected to the transmitter via a Bell 202 modem (see the relevant Operating Instructions).

The output of the transmitter is actually the analog signal 4 to 20 mA and the digital signal read in engineering units on the integral display.

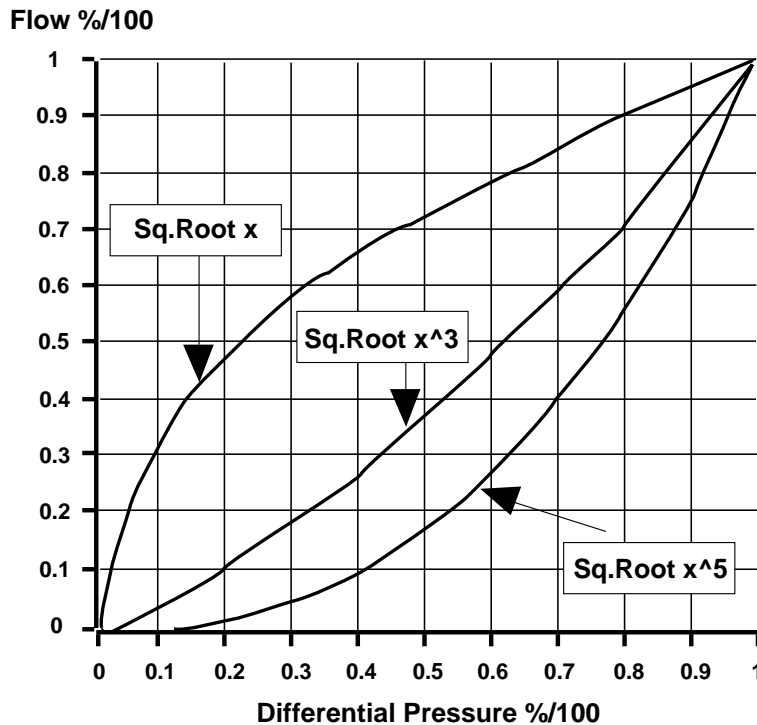


Fig. 1

ADDENDUM FOR DIFFERENTIAL PRESSURE TRANSMITTERS: SELECTABLE OUTPUT FUNCTIONS

1.0 LINEAR

Using this function, the relationship between the input (measured value), expressed in % of the calibrated span and the output is linear, e.g. at 0% input, corresponds 0% output (4mA), at 50% input corresponds 50% output (12mA) and at 100% input corresponds 100% output (20mA).

2.0 SQUARE ROOT (X)

Using this function, the output (in % of the span) is proportional to the square root of the input signal in % of the calibrated span: the instrument, e.g., gives an analog output proportional to the rate of flow.

To avoid the extremely high gain with the input approaching zero, the transmitter output is linear with the input up to 4%, programmable in order to ensure a more stable output near zero. This also allows an easier zero adjustment and performs a reduced zero error for ambient temperature variations.

An explanation is given in fig. 2. For an input variation from 0 to 0.5% the output varies linearly. For input variation greater than 0.5% up to a value programmable from 1 to 4%, the output still varies linearly. Then at input values greater than 4% the output follows the applied transfer function. In the figure it is also indicated the default selection.

To convert from a pressure value within the calibrated span to a percent of flow, first express the pressure as a percent of calibrated span, then take the square root of this pressure percentage and multiply by 10.

Example : Transmitter calibrated 0-400 mbar - with 196 mbar, pressure input, the percentage of flow is determined as follows:

$$\frac{196}{400} \times 100 = 49\% \text{ of calibrated pressure}$$

$$\sqrt{49} \times 10 = 70\% \text{ of calibrated flow}$$

To convert from a percentage of the calibrated flow to the equivalent output current (see figure), first divide the percentage of flow by 100, then multiply this figure by the 16 mA adding also the live zero 4 mA.

$$\frac{70\% \text{ calibrated flow}}{100} \times 16 \text{ mA} + 4 \text{ mA d.c.} = 15,2 \text{ mA d.c.}$$

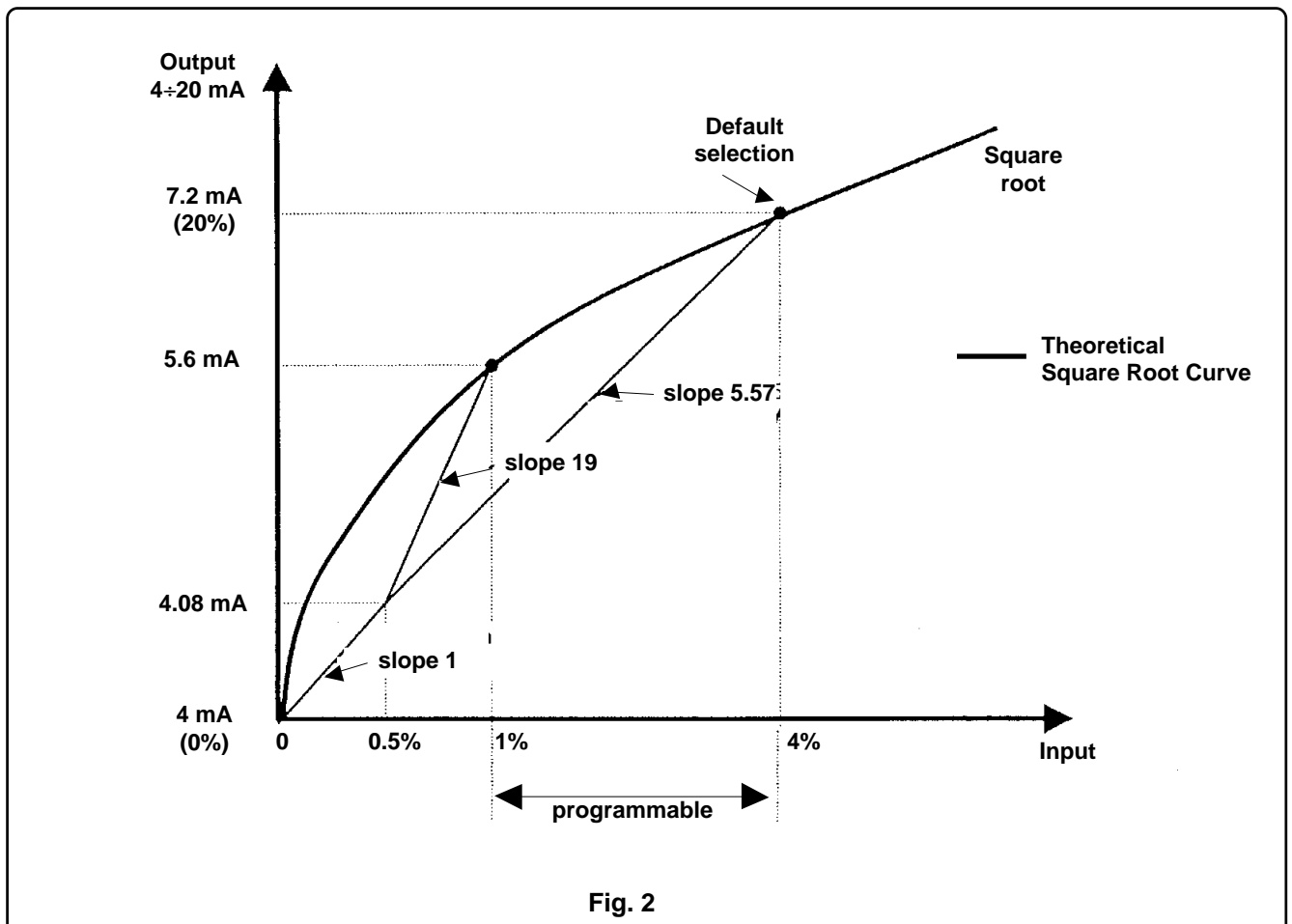


Fig. 2

**... ADDENDUM FOR DIFFERENTIAL PRESSURE TRANSMITTERS:
SELECTABLE OUTPUT FUNCTIONS**

3.0 SQUARE ROOT (X^3)

This function, as mentioned before, can be used for open channel flow measurement using ISO 1438 rectangular weirs (Hamilton Smith, Kindsvater-Carter, Rehbock formulas) or trapezoidal weirs (Cippoletti formulas) (see Fig. 3a and 3b) and ISO 1438 Venturi flumes. In these types of devices the relationship between the flow and the developed head h (the differential pressure measured by the transmitter) is proportional to $h^{3/2}$ or square root of h^3 . Other types of Venturi or Parshall flume do not follow this relationship.

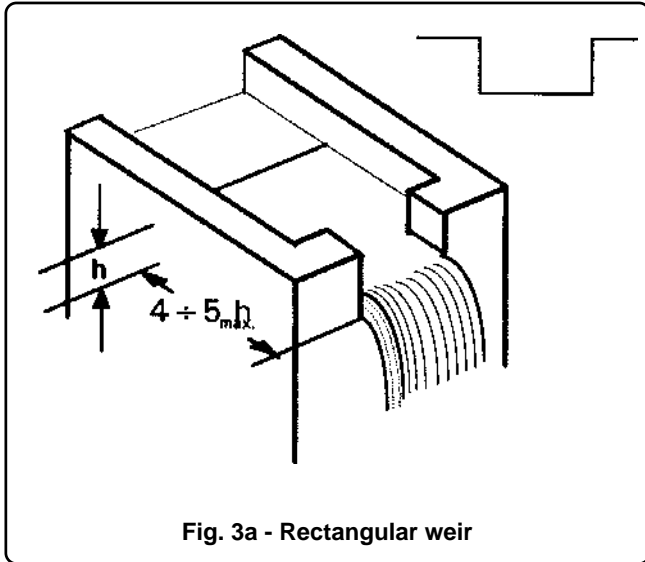


Fig. 3a - Rectangular weir

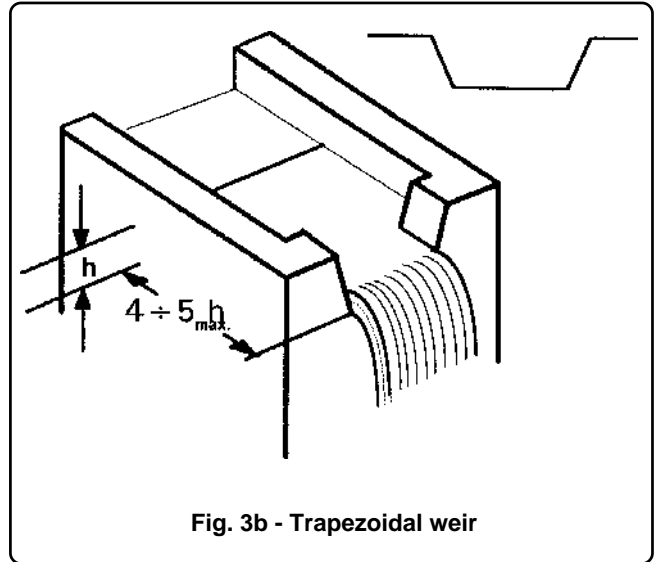


Fig. 3b - Trapezoidal weir

Using this function, the output (in % of the span) is proportional to the square root of the third power of the input signal in % of the calibrated span: the instrument, e.g., gives an output proportional to the rate of flow calculated using the above mentioned formulas.

4.0 SQUARE ROOT (X^5)

This function can be used for open channel flow measurement using ISO 1438 V-notch (triangular) weirs (see Fig. 4) where the relationship between the flow and the developed head h (the differential pressure measured by the transmitter) is proportional to $h^{5/2}$ or square root of h^5 .

Using this function, the output (in % of the span) is proportional to the square root of the fifth power of the input signal in % of the calibrated span: the instrument, e.g., gives an output proportional to the rate of flow calculated using the Kindsvater-Shen formula.

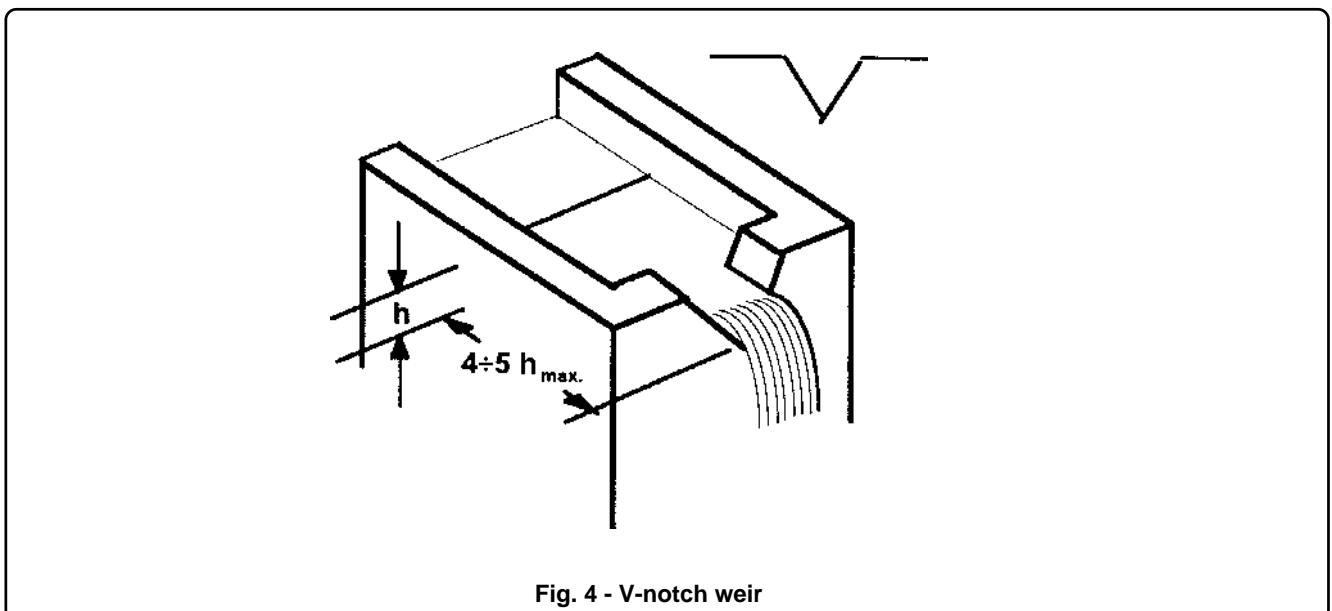


Fig. 4 - V-notch weir

... ADDENDUM FOR DIFFERENTIAL PRESSURE TRANSMITTERS: SELECTABLE OUTPUT FUNCTIONS

5.0 POLYNOMIAL 1 (5th order)

The polynomial function, applied to the transmitter input (x) expressed in % of the calibrated span, has the following form:

$$\text{Out} = \pm A_0 \pm A_1(x) \pm A_2(x^2) \pm A_3(x^3) \pm A_4(x^4) \pm A_5(x^5)$$

where (x) and Out should be normalized in the range 0 to 1 for calculation purpose, with following Out meaning:

Out = 0 means Analog out 4 mA

Out = 1 means Analog out 20 mA

This function can be used for linearization purpose: the user can plot the characteristic curve of the input and find, using a mathematical method, the parameters of the polynomial that better approximate the plotted curve. Check, after the calculation, if the maximum error is compatible with the application.

The following are some application examples.

5.1 CYLINDRICAL VESSEL

Using the polynomial function applied to a level transmitter installed in a horizontal cylindrical vessel it is possible to transmit the measure of level in term of partial volume. Some different cases should be considered:

a) Cylindrical vessel with flat ends (not often used. Fig. 5a). Transmitter measuring the whole vessel height.

The following polynomial gives the area of the circular section in relation to the height h (height of the liquid in the vessel).

$$\text{Out} = -0.02 + 0.297 h + 2.83 h^2 - 4.255 h^3 + 3.5525 h^4 - 1.421 h^5$$

Being both the input h and the output Out normalized, i.e. in the range 0 to 1 (or 0% to 100%), the vessel diameter corresponding to a circular area equal to 1 (100%) will be "normalized" by a "K" factor of the following value:

$$K = 2 \cdot \sqrt{1/\pi} = 1.12838$$

The volume of the liquid contained in the vessel, at height = h will be

$$V = \text{Out} \cdot (d/1.12838)^2 \cdot L$$

where d = vessel diameter and L = vessel length.

The non conformity error is within 0.1% between 0.5% and 99.5% of h, 0.2% at 0% and 100%.

b) Cylindrical vessel with hemispherical ends (see Fig. 5b). Transmitter measuring the whole vessel height.

The same polynomial can be used also for the cylindrical vessel with hemispherical ends. To obtain the volume contained in the vessel can be used the following empirical formula:

$$V = \text{Out} \cdot (d/1.12838)^2 \cdot (L + 2/3 d)$$

The non conformity error depends on the ratio between diameter and length of the vessel: for ratio ≥ 5 to 1 the error is $\leq 0.25\%$. The polynomial found with mathematical method gives an error of $\pm 0.15\%$.

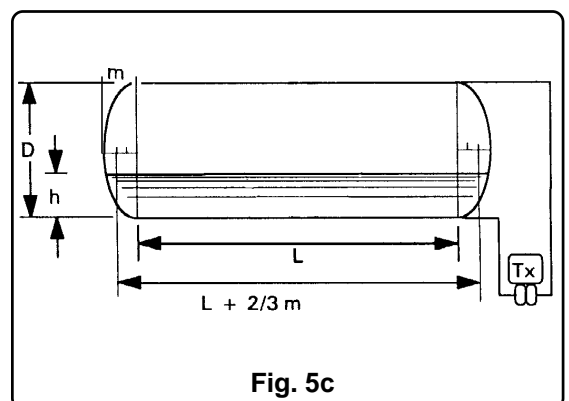
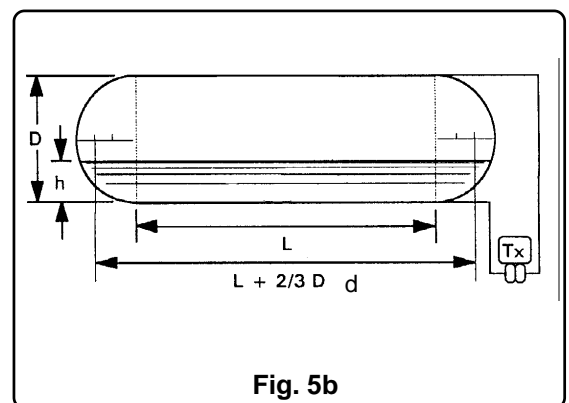
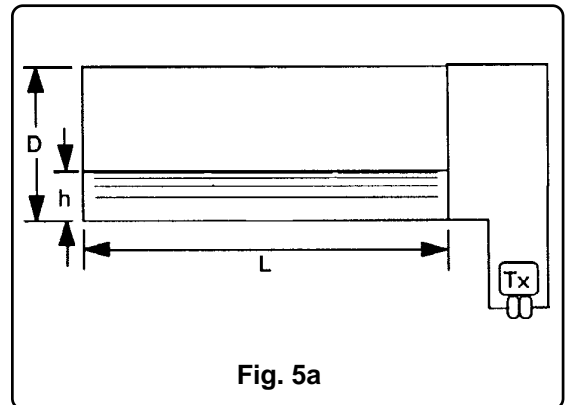
c) Cylindrical vessel with elliptical or pseudoelliptical ends (see Fig. 5c). Transmitter measuring the whole vessel height.

The same polynomial can be used also for the cylindrical vessel with elliptical or pseudoelliptical ends. To obtain the volume contained in the vessel can be used the following empirical formula:

$$V = \text{Out} \cdot (d/1.12838)^2 \cdot (L + 2/3 m)$$

where m is the length of the minor ellipse axis (see Fig.5c)

The non conformity error depends on the ratio between the diameter and the length of the vessel: for ratio ≥ 5 to 1 the error is $\leq 0.25\%$. The polynomial found with mathematical method gives an error of $\pm 0.15\%$.



... ADDENDUM FOR DIFFERENTIAL PRESSURE TRANSMITTERS: SELECTABLE OUTPUT FUNCTIONS

5.2 SPHERICAL TANK

Spherical tank (see Fig.5d). Transmitter measuring the whole vessel height.

The following polynomial gives the volume of the spherical section in relation to the height h of the liquid in the tank.

$$\text{Out} = 3 h^2 - 2 h^3$$

This formula is geometrical and then his conformity is perfect.

Being both the input h and the output Out normalized, i.e. in the range 0 to 1 (or 0% to 100%), the sphere diameter D corresponding to a volume equal to 1 (100%) will be "normalized" by a "K" factor of the following value:

$$K = 2 \cdot \sqrt[3]{3 / (4 \pi)} = 1.2407$$

The volume of the liquid contained in the tank, at height = h will be

$$V = \text{Out} \cdot (D/1.2407)^3$$

where D = sphere diameter .

5.3 CYLINDRICAL VESSEL AND SPHERICAL TANK WITH PARTIAL LEVEL MEASUREMENT

Cases a) to d) but with partial level measurement (Fig. 6a)
In these cases two methods can be used:

- 1) Plot the changes in volume in relation to the level changes and, using a mathematical method, find the relevant polynomial.
- 2) Use the polynomial coefficients for cases a) to d) and calibrate the transmitter range to cover the full diameter of the vessel or tank: the changes in volume for the h changes between h_0 and h_{\max} will be correct. Of course the transmitter will transmit, when the level is $\leq h_0$, the volume corresponding to h_0 ; the same apply for level $\geq h_{\max}$.
All transmitted volumes are % of the total volume of the vessel.

If it is required the partial volume starting from h_0 (i.e. the volume at $h_0 = 0$) then the A_0 coefficient should be equal to the polynomial solved for h_0 with negative sign: for example for $h_0 = 20\%$

$$A_0 = -0.02 + 0.297 \cdot 0.2 + 2.83 \cdot 0.2^2 - 4.255 \cdot 0.2^3 + 3.5525 \cdot 0.2^4 - 1.421 \cdot 0.2^5 = -0.14179$$

The polynomial coefficients for the example will be:

$$\text{Out} = -0.14179 + 0.297 h + 2.83 h^2 - 4.255 h^3 + 3.5525 h^4 - 1.421 h^5$$



Note : The accuracy of all above numerical values can not be guaranteed.



General notes for level measurement

The level transmitter calibration is effected by the transmitter installation conditions, i.e. if the reference connection is empty (dry leg) or liquid filled (wet leg). In the first case (dry leg) the calibration is affected by the specific gravity of the measured liquid and the atmosphere above the liquid at process condition, whereas in the second case (wet leg), it is affected by the specific gravity of the liquid in the connecting pipe(s).

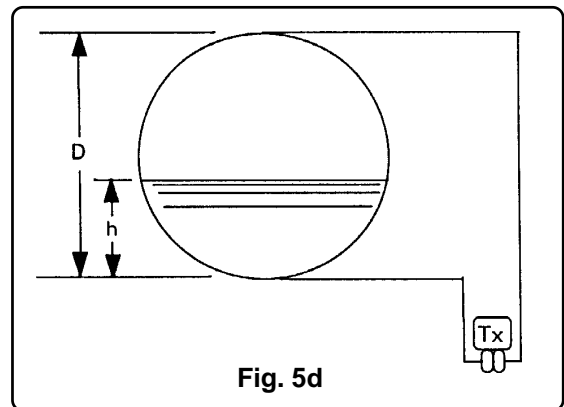


Fig. 5d

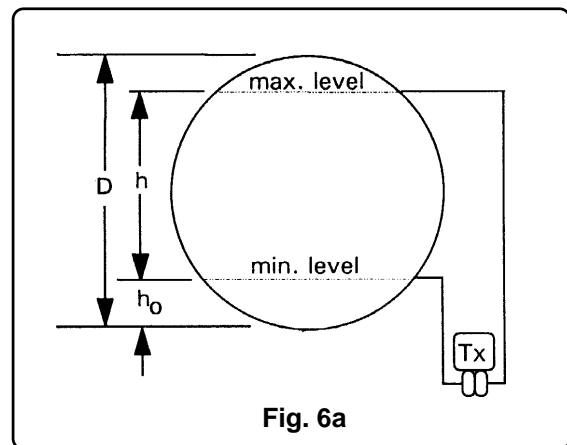


Fig. 6a

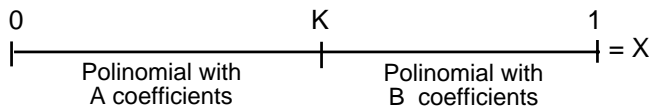
... ADDENDUM FOR DIFFERENTIAL PRESSURE TRANSMITTERS: SELECTABLE OUTPUT FUNCTIONS

6.0 POLYNOMIAL 2 (Two polynomial functions of 2nd order)

Analog Output transfer function can also be defined as a two polynomial function. Both polynomials are of 2nd order. So two different polynomial functions are used:

$$\text{Out} = [\pm A_0 + A_1(x^1) \pm A_2(x^2)] + [\pm B_0 + B_1(x^1) \pm B_2(x^2)]$$

Here the polynomial with A coefficients is used for X from 0 to a K value, and the second one with B coefficients for X greater than the K value.



Ax and Bx terms of the polynomials have to be calculated according to the shape of the vessel.

A PC based software tool is available for polynomial coefficients definition.

7.0 CONSTANT CURRENT (Loop Test)

This output function, activated by a Configuration Tool, can be used to test the transmitter output, the integrity of the transmission loop and the calibration of associated equipment like receivers, recorders, etc.

When this function is activated the transmitter acts like a constant current generator: using the configuration tool the user can specify a fixed output current of 4 mA, 20 mA or any value between 4 and 20 mA.

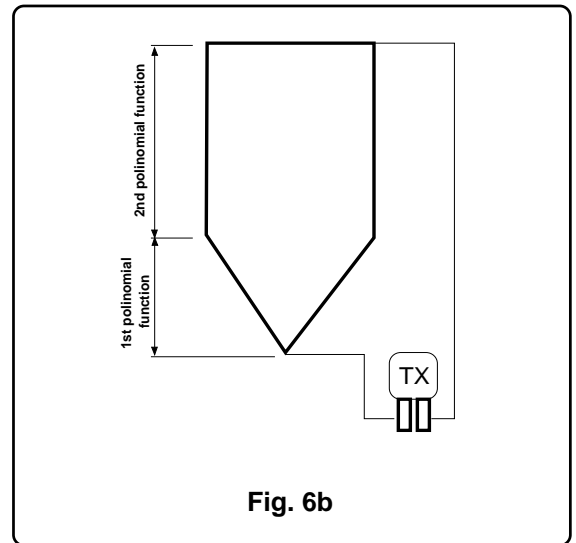


Fig. 6b

ADDENDUM FOR FLANGE-MOUNTED TRANSMITTERS

Flange-mounted transmitters are suitable for open or closed tank service.

The process fluid may, or may not, be corrosive, viscous, dirty and with suspended solids; each case requires a proper transmitter. 2600T Series provides a model for tank service.

They includes two main application variants: one is dedicated to liquid level measurement and the other is marketed as differential pressure transmitter but it is particularly suitable for liquid level measurement.

Liquid level transmitter is mounted to a tank as shown in Figure 1.

The ambient temperature of the transmitter mounting location must be between -40°C and $+85^{\circ}\text{C}$ (-40 and $+185^{\circ}\text{F}$).

The process temperature can instead be between -40°C and $+320^{\circ}\text{C}$ (-40 and $+608^{\circ}\text{F}$). The process interface and fill fluid of the transmitter must be selected amongst the various options provided according to the specific range of temperature.



DANGER - For installation in Hazardous Areas, i.e. areas with danger of fire and/or explosion, irrespective of the protection mode used, the installation must be carried out in accordance with local regulations. Ensure also that the temperature of the transmitter does not exceed the value indicated in the Safety Marking plate. In this connection, consider that process temperature above 85°C (185°F) requires derating the ambient limits by 1.5:1 ratio.

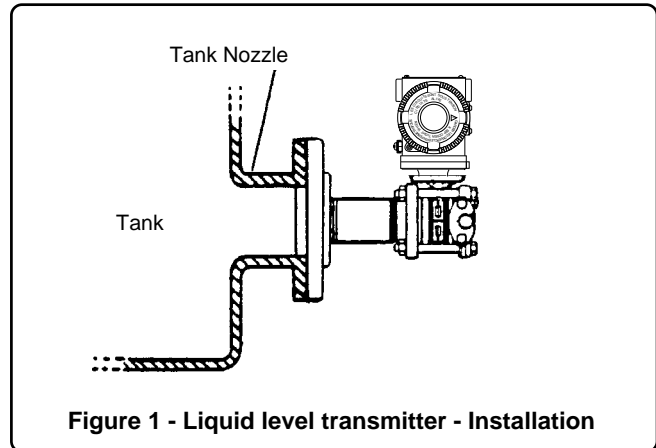


Figure 1 - Liquid level transmitter - Installation

The liquid level transmitter has been designed to connect to a flanged tank nozzle, or similar ANSI (DIN) fitting. Standard connections for 2/3-inch Class 150/300/600 flanges, and equivalent DIN, are available.

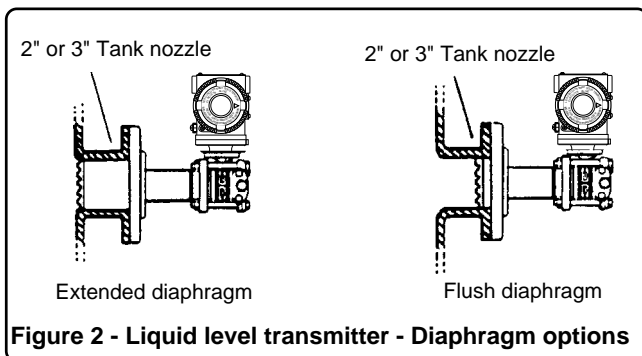


Figure 2 - Liquid level transmitter - Diaphragm options

Flush and extended diaphragm options are also available, Figure 2.

The flush diaphragm is suitable for applications where the process is free of suspended solids.

The extended diaphragm eliminates the pocket at the transmitter connection and is typically used for slurries and viscous liquids.

It is recommended that the liquid level transmitter be mounted with the process diaphragm vertical and with the housing above the primary transducer as described in the pictures.

Operation is not affected by mounting in other positions, however, some rezeroing may be required.

The transmitter is insensitive to level changes over the lower half of the diaphragm, so it is important to locate the transmitter datum line with the center line of the tank nozzle. The nozzle also must be located so that the minimum level is always at or above the datum line.

The liquid level transmitter can be used to measure liquid level in either open or closed (pressurized) tanks.

... ADDENDUM FOR FLANGE-MOUNTED TRANSMITTERS

In open tank applications, mounting the transmitter on the tank nozzle provides the HI side process connection, with the LO side being vented to atmosphere. The hydraulic head pressure acting against the process diaphragm is a direct measurement of the liquid level. The effect of atmospheric pressure is canceled because this pressure is applied to both sides of the transmitter.

A recommended open tank installation is shown in Figure 3.

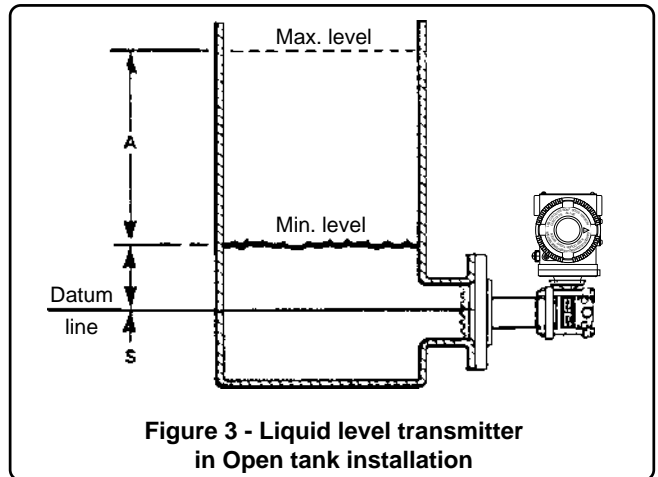


Figure 3 - Liquid level transmitter in Open tank installation

In the closed tank application, Figure 4, the effect of tank pressure is canceled by connecting the HI side and LO side of the primary transducer to the tank. The HI side connection is made by mounting the transmitter on the tank nozzle. A compensating leg connects to the LO side near the top of the tank. It is important to ensure that this leg is either completely free of liquid (dry leg) or completely filled to a constant level (wet leg).

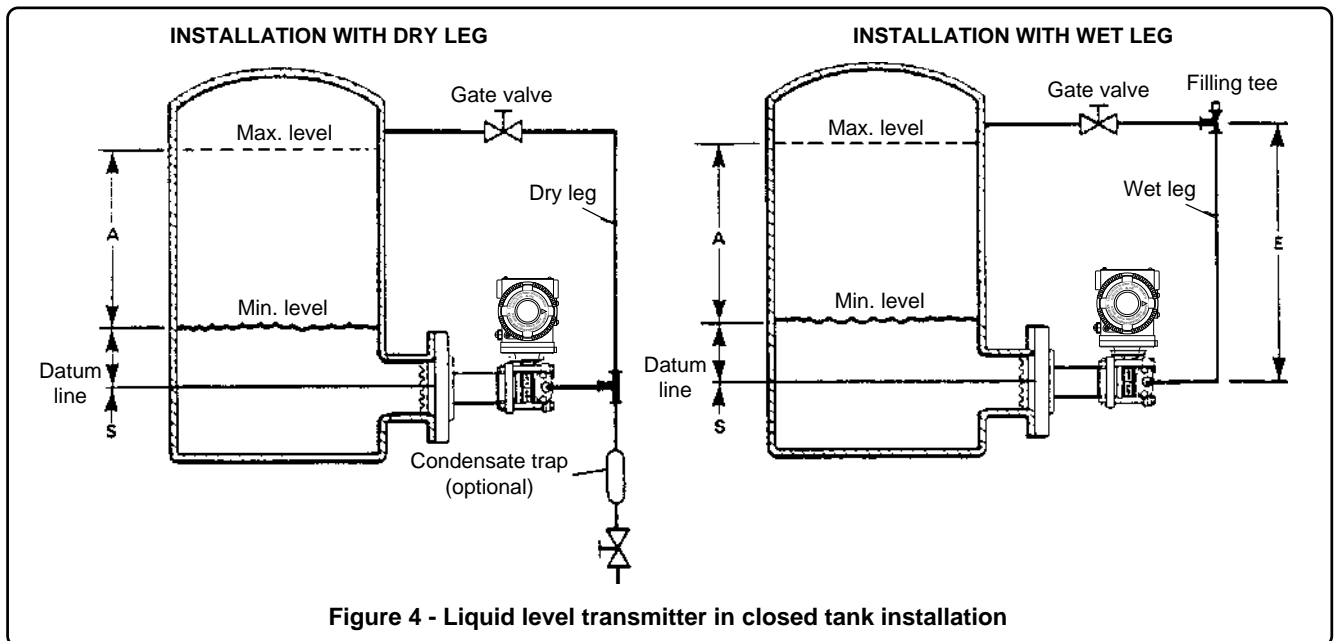
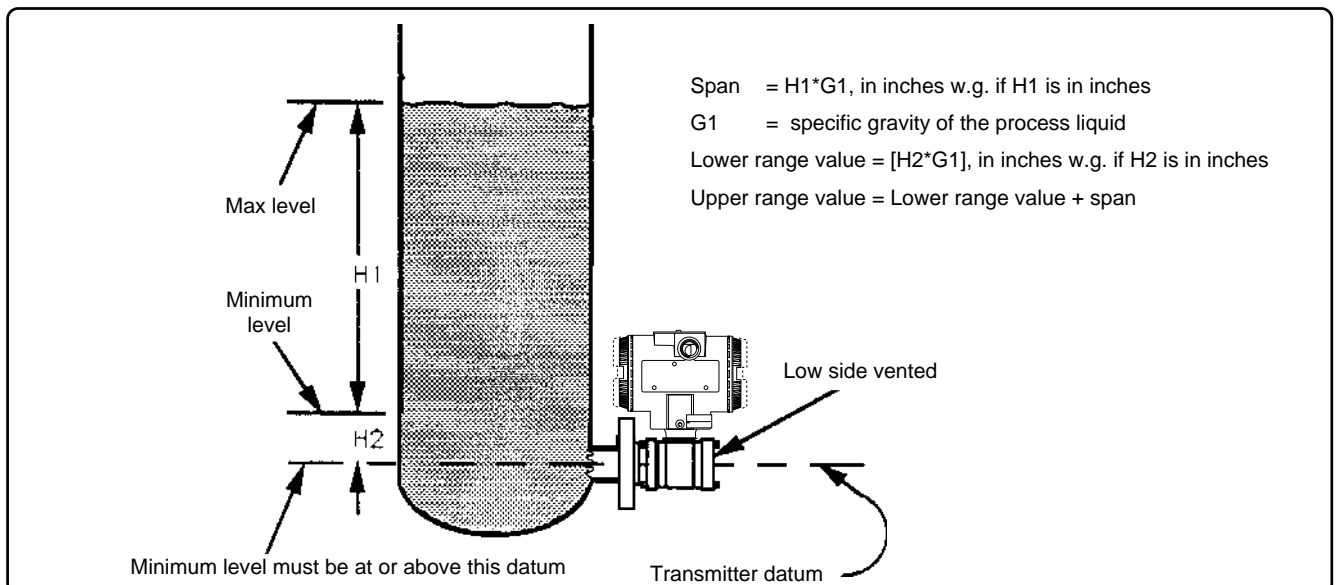


Figure 4 - Liquid level transmitter in closed tank installation

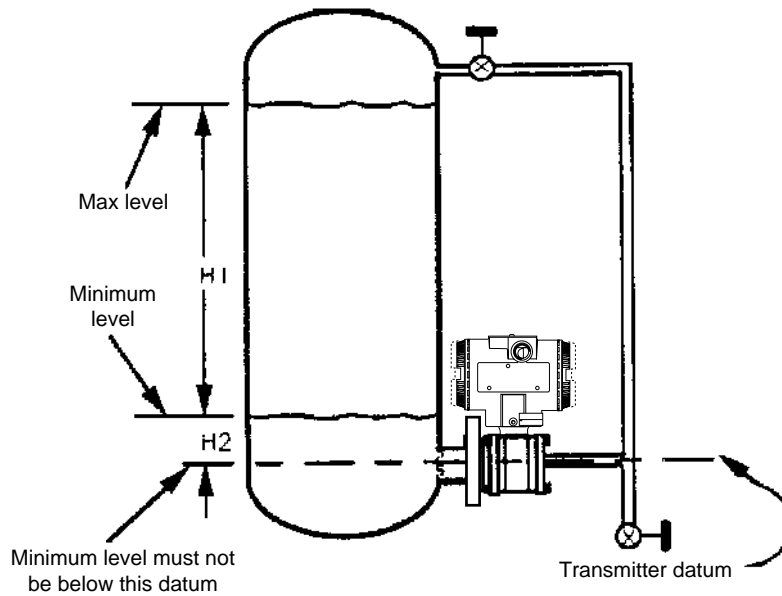
For a better understanding, three applications of liquid level measure are shown, as follows:

Application n° 1 : Liquid Level - Open Tank Using a Flange-Mounted Transmitter



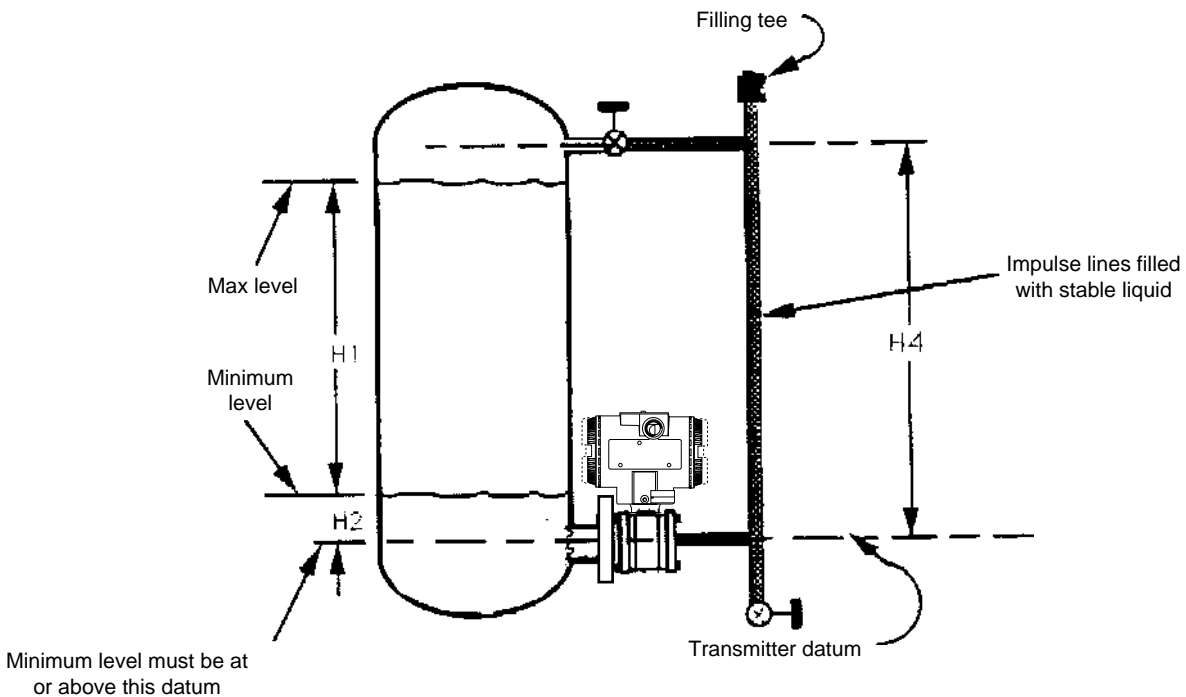
... ADDENDUM FOR FLANGE-MOUNTED TRANSMITTERS

Application n° 2 : Liquid Level - Closed Tank Using a Flange-Mounted Transmitter (No Condensable Vapors)



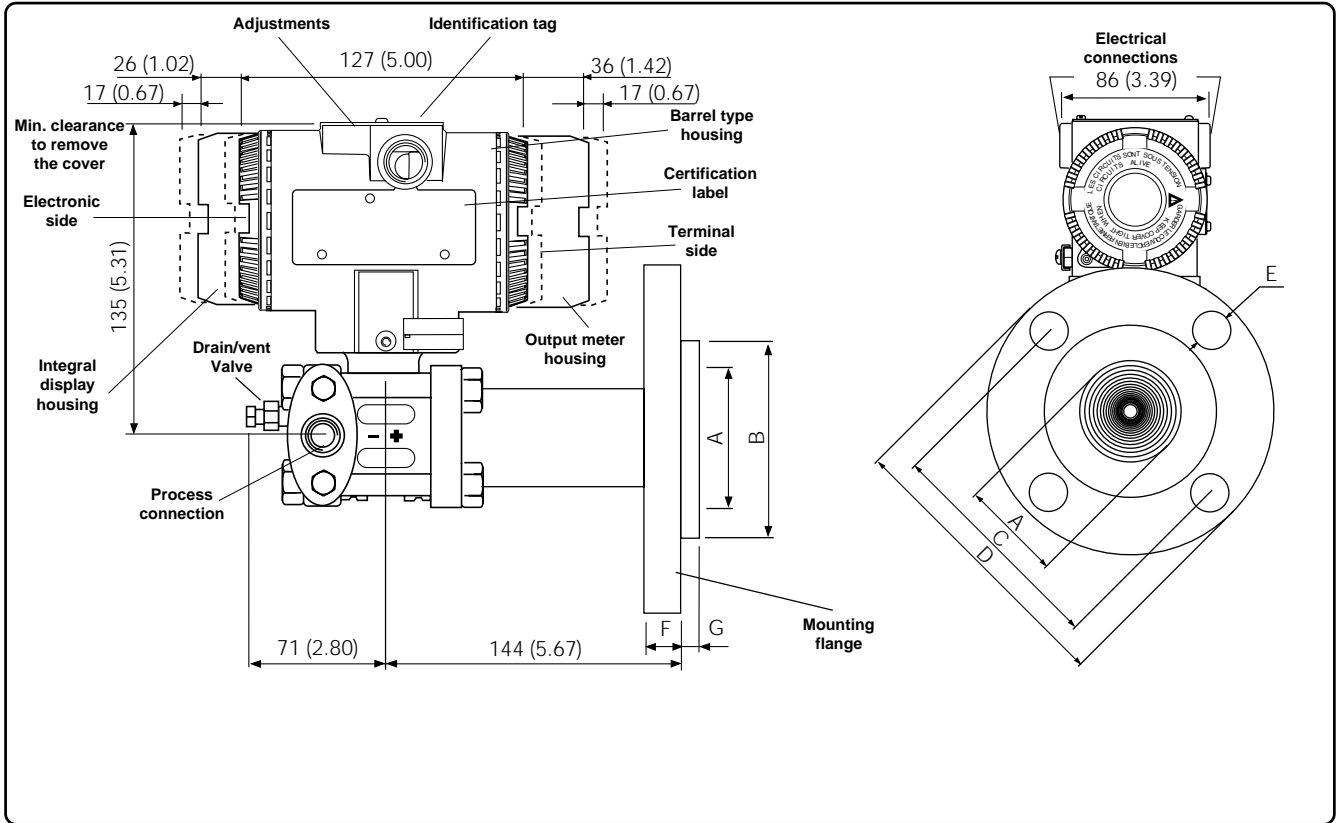
Span = $H1 \cdot G1$, in inches w.g. if H1 is in inches
 $G1$ = specific gravity of the process liquid
 Lower range value = $[H2 \cdot G1]$, in inches w.g. if H2 is in inches
 Upper range value = Lower range value + span

Application n° 3 : Liquid Level - Closed Tank Using a Flange-Mounted Transmitter and a Wet Leg (With Condensable Vapors)



Span = $H1 \cdot G1$, in inches w.g. if H1 is in inches
 Lower range value = $[H2 \cdot G1] - [H4 \cdot Gw]$, in inches w.g. if H2 and H4 are in inches
 Upper range value = Lower range value + span
 $G1$ = specific gravity of process liquid
 Gw = specific gravity of liquid in wet leg

... ADDENDUM FOR FLANGE-MOUNTED TRANSMITTERS



SIZE/RATING	DIMENSIONS mm (in)								N° of holes
	A (dia)		B (dia)	C (dia)	D (dia)	E (dia)	F	G	
	flush	extended							
2in ANSI CL 150	60 (2.36)	48 (1.9)	92.1 (3.62)	120.5 (4.74)	152.5 (6)	20 (0.79)	19.5 (0.77)	9.5 (0.37)	4
2in ANSI CL 300	60 (2.36)	48 (1.9)	92.1 (3.62)	127 (5)	165 (6.5)	20 (0.79)	22.5 (0.88)	9.5 (0.37)	8
2in ANSI CL 600	60 (2.36)	NA	92.1 (3.62)	127 (5)	165 (6.5)	20 (0.79)	25.5 (1)	9.5 (0.37)	8
2in ANSI CL 900	60 (2.36)	NA	92.1 (3.62)	165 (6.5)	216 (8.5)	26 (1.02)	38.5 (1.51)	9.5 (0.37)	8
3in ANSI CL 150	89 (3.5)	72 (2.83)	127 (5)	152.5 (6)	190.5 (7.5)	20 (0.79)	24 (0.94)	9.5 (0.37)	4
3in ANSI CL 300	89 (3.5)	72 (2.83)	127 (5)	168.5 (6.63)	210 (8.26)	22 (0.86)	28.5 (1.12)	9.5 (0.37)	8
3in ANSI CL 600	89 (3.5)	NA	127 (5)	168.5 (6.63)	210 (8.26)	22 (0.86)	32 (1.26)	9.5 (0.37)	8
3in ANSI CL 900	89 (3.5)	NA	127 (5)	190.5 (7.5)	241 (9.48)	26 (1.02)	38.5 (1.51)	9.5 (0.37)	8
4in ANSI CL 150	89 (3.5)	94 (3.7)	157.2 (6.2)	190.5 (7.5)	228.6 (9)	20 (0.79)	24 (0.94)	9.5 (0.37)	8
4in ANSI CL 300	89 (3.5)	94 (3.7)	157.2 (6.2)	200.2 (7.88)	254 (10)	22 (0.86)	32 (1.26)	9.5 (0.37)	8
DN50 DIN ND16	60 (2.36)	48 (1.9)	102 (4.02)	125 (4.92)	165 (6.5)	18 (0.71)	20 (0.79)	9.5 (0.37)	4
DN50 DIN ND40	60 (2.36)	48 (1.9)	102 (4.02)	125 (4.92)	165 (6.5)	18 (0.71)	20 (0.79)	9.5 (0.37)	4
DN50 DIN ND64	60 (2.36)	NA	102 (4.02)	135 (5.31)	180 (7.08)	22 (0.86)	26 (1.02)	9.5 (0.37)	4
DN50 DIN ND100	60 (2.36)	NA	102 (4.02)	145 (5.71)	195 (7.67)	26 (1.02)	28 (1.1)	9.5 (0.37)	4
DN50 DIN ND160	60 (2.36)	NA	102 (4.02)	145 (5.71)	195 (7.67)	26 (1.02)	30 (1.18)	9.5 (0.37)	4
DN80 DIN ND16	89 (3.5)	72 (2.83)	138 (5.43)	160 (6.3)	200 (7.87)	18 (0.71)	20 (0.79)	9.5 (0.37)	8
DN80 DIN ND40	89 (3.5)	72 (2.83)	138 (5.43)	160 (6.3)	200 (7.87)	18 (0.71)	24 (0.94)	9.5 (0.37)	8
DN80 DIN ND64	89 (3.5)	NA	138 (5.43)	170 (6.7)	215 (8.46)	22 (0.86)	28 (1.1)	9.5 (0.37)	8
DN80 DIN ND100	89 (3.5)	NA	138 (5.43)	180 (7.08)	230 (9.05)	26 (1.02)	32 (1.26)	9.5 (0.37)	8
DN80 DIN ND160	89 (3.5)	NA	138 (5.43)	180 (7.08)	230 (9.05)	26 (1.02)	36 (1.42)	9.5 (0.37)	8
DN100 DIN ND16	89 (3.5)	94 (3.7)	158 (6.22)	180 (7.08)	220 (8.66)	18 (0.71)	20 (0.79)	9.5 (0.37)	8
DN100 DIN ND40	89 (3.5)	94 (3.7)	162 (6.38)	190 (7.48)	235 (9.25)	22 (0.86)	24 (0.94)	9.5 (0.37)	8

Note: dimensions are expressed in mm. (Between parenthesis the same dimensions expressed in inches).

Sensor trimming

If a sensor trimming operation is requested for level transmitters, follow the relevant procedure of the Hand Held Communicator and PC Software instructions.

If the result is not satisfactory after having carried out either the ZERO TRIMMING or the FULL TRIMMING, the operation must be repeated with a special variation for these transmitters.

This special procedure dedicated to the level transmitters is as follows:

- a) LOW TRIM (low value) for FULL TRIM operation, or ZERO TRIM, only.
A standard operation must be performed according to the procedure. If the result is not satisfactory the operation must be repeated with a similar procedure but with a new value which has to be entered. This value must be calculated, as follows, taking in consideration the error with reversed sign:

$$\text{new } V \text{ entered} = V \text{ applied} - (V \text{ displayed} - V \text{ applied}) * (*) \text{ error}$$

- 1st Example: Trimming at 10 mbar (applied value)

If the displayed value (via HART) after the first operation, is 10.2 mbar, then the error is +0.2 (10.2 - 10).

The new value to be therefore entered is 9.8 mbar (10 - 0.2).

- 2nd Example: Trimming at true zero (0 mbar)

If the displayed value (via HART) after the first operation, is -0.5 mbar, the operation must be repeated entering + 0.5 mbar.

*** Note:** The LOW TRIM and ZERO TRIM operations affect the span as they do not change the upper range value previously set. So a high trimming operation according to point **b**, is highly recommended.

- b) HIGH TRIM (high value) for FULL TRIM operation.
A standard operation must be performed according to the procedure. If the result is not satisfactory the operation must be repeated with a procedure similar to that shown at point **a** above.
(new calculated value with error taken with reversed sign).

Output % Reranging

Sometimes, in case of tank level measurement, it becomes difficult to calculate the LRV or the URV of the transmitter, or to empty the tank for zero adjustment. So, not only with flange-mounted, but also with differential pressure transmitters using remote seals, the Output % Reranging operation helps the user during transmitter calibration.

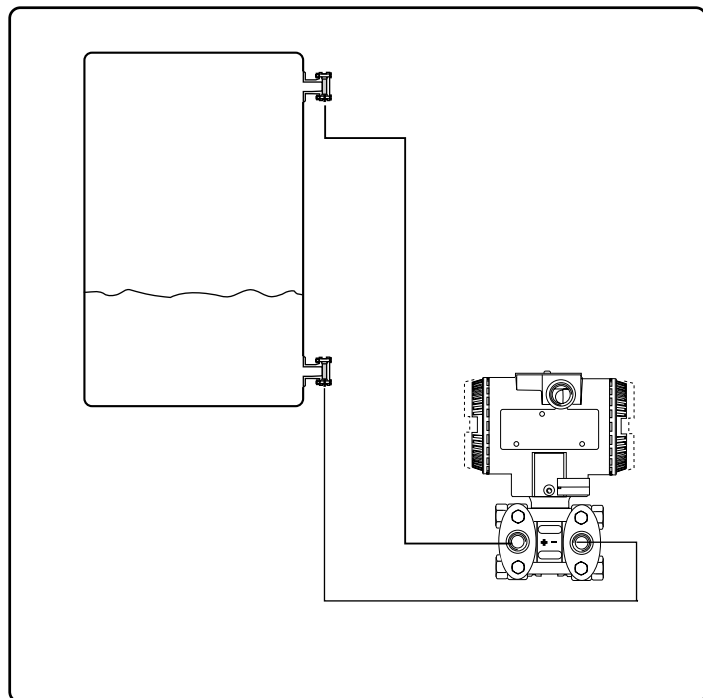
When it knows the level of the tank, expressed in percentage, the liquid level, it is possible to input this percentage that automatically the transmitter recalculates its LRV and URV according to the new percentage value.

This can be done using a HART configuration tool on a 2600T Transmitter.

Two options are available as Output % Reranging operation:

- 1) OP Range Low where both LRV and URV are adjusted
- 2) OP Range High where only URV is change in accordance with the new input percentage

As example:



Actual level measured by the transmitter:

Transmitter output = 27%
Calibration : LRV = -125 mbar
URV = +340 mbar

a) New input level measurement (Option 1) = 30%
New calibration : LRV = -139.5 mbar
URV = +325.5 mbar
The transmitter output is now = 30%

Starting again from the initial settings:

Transmitter output = 27%
Calibration : LRV = -125 mbar
URV = +340 mbar

b) New input level measurement (Option 2) = 30%
New calibration : LRV = -125 mbar
URV = +291.5 mbar
The transmitter output is now = 30%

... ADDENDUM FOR FLANGE-MOUNTED TRANSMITTERS

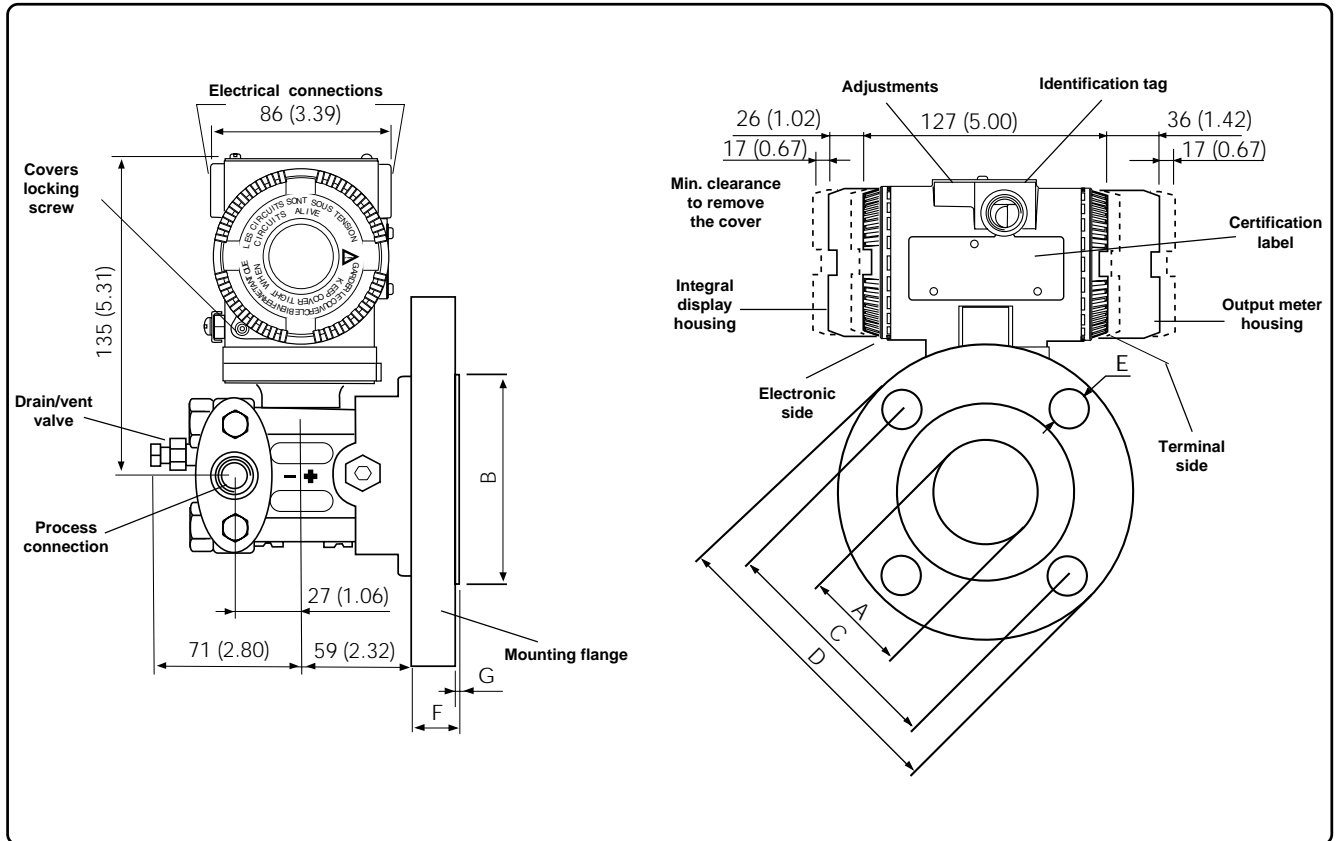
These models of differential transmitter are suitable for liquid level measurement.

The fluid, in this case, must be clean, free of solids and not viscous. This is because the process diaphragm is recessed in respect to the flange face.

The differential transmitter has been designed to connect to a flanged tank nozzle, or similar ANSI (DIN) fitting.

Standard connections for 2/3-inch Class 150/300, and equivalent DIN, are available (see Figures 1 and 2).

This model is specifically dedicated to closed (pressurized) tanks (see Figure 4 and Applications n°2 and n°3).



RATING	SIZE	A	B	C	D	E	No. of holes	F	G
ANSI 150 R.F.	2"	53 (2.09)	92 (3.62)	120.6 (4.75)	152.5 (6.0)	20 (0.79)	4	19.5 (0.77)	1.6 (0.07)
ANSI 150 R.F.	3"	77 (3.04)	127 (5.0)	152.4 (6.0)	190.5 (7.5)	20 (0.79)	4	24 (0.94)	1.6 (0.07)
ANSI 300 R.F.	2"	53 (2.09)	92 (3.62)	127 (5.0)	165 (6.50)	20 (0.79)	8	22.5 (0.89)	1.6 (0.07)
ANSI 300 R.F.	3"	77 (3.04)	127 (5.0)	168.5 (6.63)	210 (8.26)	22 (0.86)	8	28.5 (1.12)	1.6 (0.07)
DIN ND 16 FORM C	DN 50	53 (2.09)	102 (4.02)	125 (4.92)	165 (6.50)	18 (0.71)	4	20 (0.79)	3 (0.12)
DIN ND 16 FORM C	DN 80	77 (3.04)	138 (5.43)	160 (6.30)	200 (7.87)	18 (0.71)	8	20 (0.79)	2 (0.08)
DIN ND 40 FORM C	DN 50	53 (2.09)	102 (4.02)	125 (4.92)	165 (6.50)	18 (0.71)	4	20 (0.79)	3 (0.12)
DIN ND 40 FORM C	DN 80	77 (3.04)	138 (5.43)	160 (6.30)	200 (7.87)	18 (0.71)	8	24 (0.94)	2 (0.08)

ADDENDUM FOR "EX SAFETY" ASPECTS AND "IP" PROTECTION (EUROPE)

According to ATEX Directive (European Directive 94/9/EC of 23 March 1994) and relative European Standards which can assure compliance with Essential Safety Requirements, i.e., EN 50014 (General requirements) EN 50018 (Flameproof enclosures "d") EN 50020 (Intrinsic safety "i") EN 50284 (Equipments, group II, category 1G) EN 50281 (Apparatus for use with combustible dusts), the pressure transmitters of the 2600T SERIES have been certified for the following group, categories, media of dangerous atmosphere, temperature classes, types of protection. Examples of application are also shown below by simple sketches.

- a) Certificate ATEX II 1 GD T50°C, EEx ia IIC T6 (-40°C ≤ Ta ≤ +40°C)
 respectively, GD T95°C, EEx ia IIC T4 (-40°C ≤ Ta ≤ +85°C)

ZELM certificate number ZELM 02 ATEX 0081

The meaning of ATEX code is as follows:

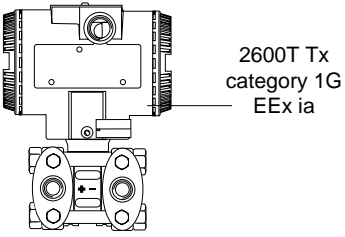
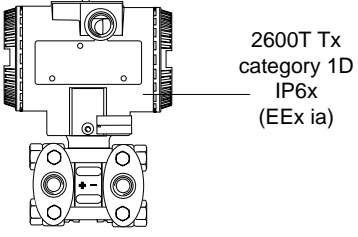
- II : Group for surface areas (not mines)
 - 1 : Category
 - G : Gas (dangerous media)
 - D: Dust (dangerous media)
 - T50°C: Maximum surface temperature of the transmitter enclosure with a Ta (ambient temperature) +40°C for Dust (not Gas) with a dust layer up to 50 mm depth.
 - T95°C: As before for Dust for a Ta +85°C
- (Note: the number close to the CE marking of the transmitter safety label identifies the Notified Body which has responsibility for the surveillance of the production)

The other marking refers to the protection type used according to relevant EN standards:

- EEx ia : Intrinsic safety, protection level "a"
- IIC : Gas group
- T6 : Temperature class of the transmitter (which corresponds to 85°C max) with a Ta (ambient temperature) +40°C
- T4 : Temperature class of the transmitter (which corresponds to 135°C max) with a Ta (ambient temperature) +85°C

About the applications, this transmitter can be used in "Zone 0" (Gas) and "Zone 20" (Dust) classified areas (continuous hazard) as it is shown on the following sketch:

APPLICATION FOR PRESSURE TRANSMITTER EEx ia CATEGORY 1GD

Application with Gas	Application with Dust
<p>Zone "0"</p>  <p style="text-align: right;">2600T Tx category 1G EEx ia</p> <p>Note: the transmitter must be connected to a supply (associated apparatus) certified [EEx ia]</p>	<p>Zone "20"</p>  <p style="text-align: right;">2600T Tx category 1D IP6x (EEx ia)</p> <p>Note: the protection is mainly assured by the "IP degree" associated to the low power from the supply. This can either be [ia] or [ib]</p>

ADDENDUM FOR "EX SAFETY" ASPECTS AND "IP" PROTECTION (EUROPE)

- b) Certificate ATEX II 1/2 GD T50°C, EEx ia IIC T6 (-40°C ≤ Ta ≤ +40°C)
 respectively, GD T95°C, EEx ia IIC T4 (-40°C ≤ Ta ≤ +85°C)

ZELM certificate number ZELM 02 ATEX 0081



Note: this ATEX **Category** depends on the application (see below) and also on the intrinsic safety level of the transmitter supply (associated apparatus) which can sometimes suitably be [ib] instead of [ia]. As it is well known, the level of an intrinsic safety system is determined by the lowest level of the various apparatus used, i.e., in the case of [ib] supply, the system takes over this level of protection.

The meaning of ATEX code is as follows:

- II : Group for surface areas (not mines)
- 1/2 : Category - It means that only a part of the transmitter complies with category 1 and a second part complies with category 2 (see next application sketch)
- G : Gas (dangerous media)
- D : Dust (dangerous media)
- T50°C: Maximum surface temperature of the transmitter enclosure with a Ta (ambient temperature) +40°C for Dust (not Gas) with a dust layer up to 50 mm depth.
- T95°C: As before for Dust for a Ta +85°C

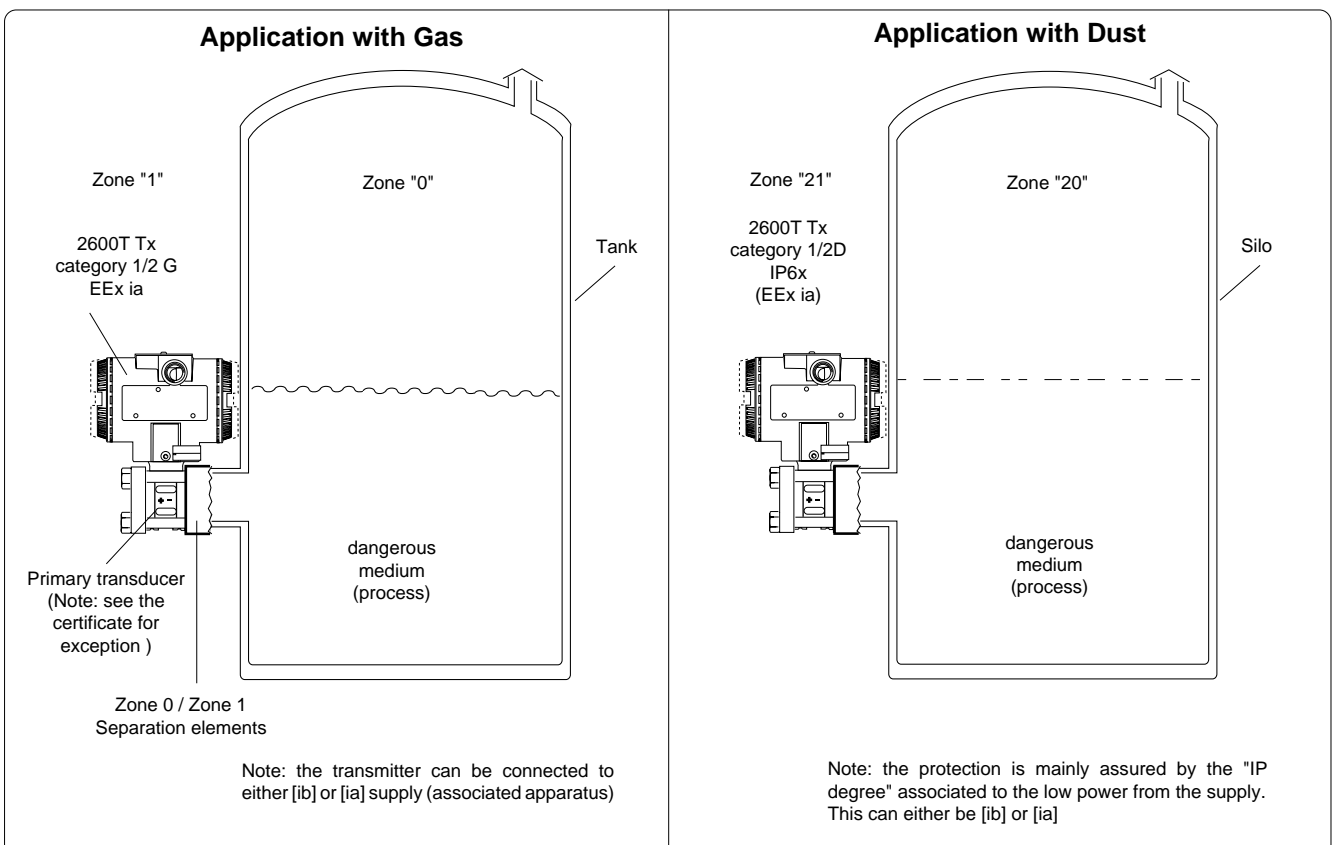
(Note: the number close to the CE marking of the transmitter safety label identifies the Notified Body which has responsibility for the surveillance of the production)

The other marking refers to the protection type used according to relevant EN standards:

- EEx ia : Intrinsic safety, protection level "a"
- IIC : Gas group
- T6 : Temperature class of the transmitter (which corresponds to 85°C max) with a Ta (ambient temperature) +40°C
- T4 : Temperature class of the transmitter (which corresponds to 135°C max) with a Ta (ambient temperature) +85°C

About the applications, this transmitter can be used in Zone "0" (Gas) classified areas (continuous hazard) with its "process part" only, whereas the remaining part of the transmitter, i.e. its enclosure, can be used in Zone 1 (Gas), only (see sketch below). Reason of this is the process part of the transmitter (normally called primary transducer) that provides inside separation elements to seal off the electrical sensor from the continuously hazardous process, according to the EN50284 and EN50018. About Dust application, the transmitter is suitable for "Zone 21" according to the EN 50281 as it is shown on the relevant part of the sketch:

APPLICATION FOR PRESSURE TRANSMITTER EEx ia CATEGORY 1/2 GD



ADDENDUM FOR "EX SAFETY" ASPECTS AND "IP" PROTECTION (EUROPE)

c) Certificate ATEX II 1/2 GD, EEx d IIC T6
 IP67 T85°C (-40°C ≤ Ta ≤ +75°C)

CESI Certificate number CESI 02ATEX 027

The meaning of ATEX code is as follows:

- II : Group for surface areas (not mines)
- 1/2 : Category - It means that only a part of the transmitter complies with category 1 and a second part complies with category 2 (see next application sketch)
- G : Gas (dangerous media)
- D : Dust (dangerous media)
- T85°C: Maximum surface temperature of the transmitter enclosure with a Ta (ambient temperature) +75°C for Dust (not Gas) with a dust layer up to 50 mm depth.

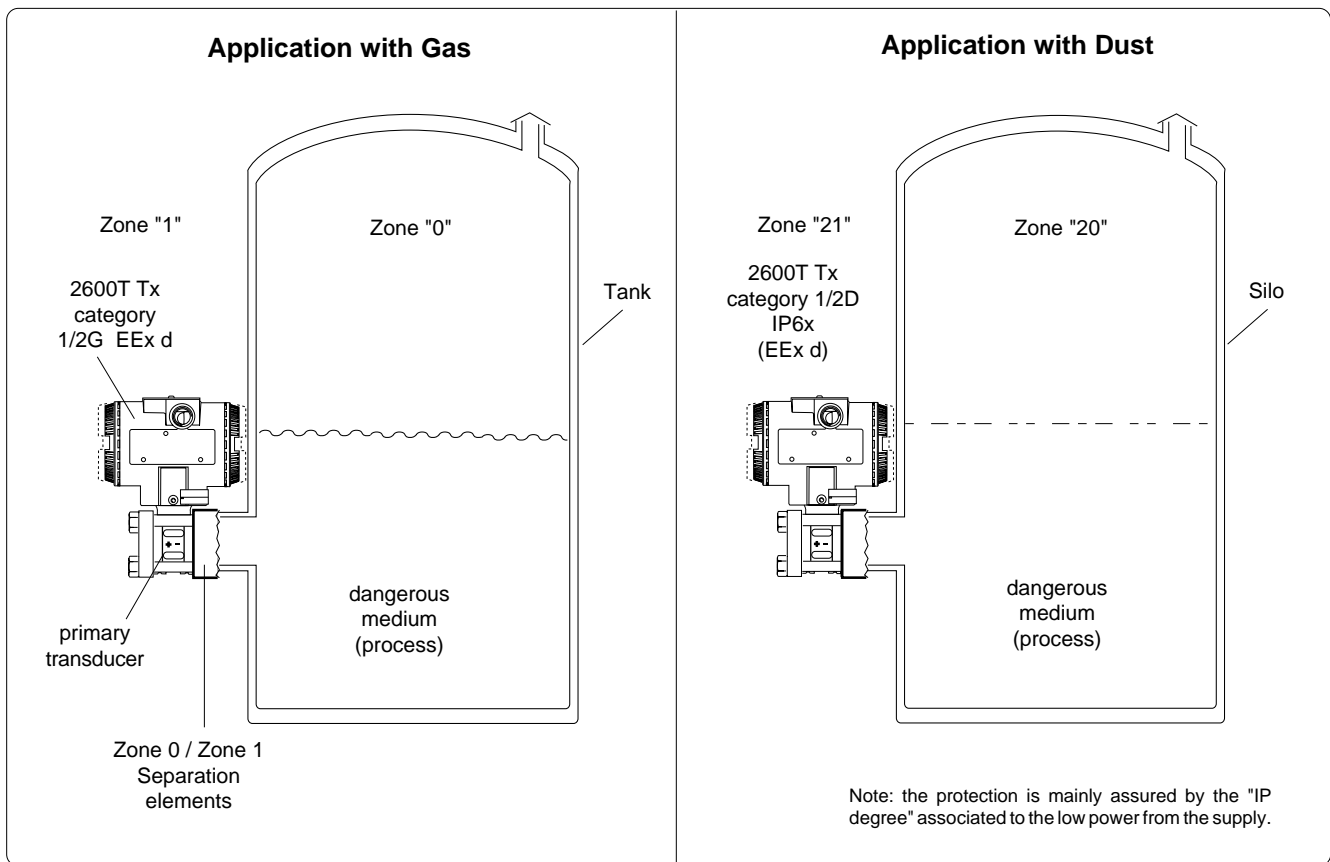
(Note: the number close to the CE marking of the transmitter safety label identifies the Notified Body which has responsibility for the Surveillance of the production)

The other marking refers to the protection type used according to relevant EN Standards:

- EEx d: Flameproof
- IIC : Gas group
- T6 : Temperature class of the transmitter (which corresponds to 85°C max) with a Ta (ambient temperature) +75°C.

About the applications, this transmitter can be used in Zone "0" (Gas) classified areas (continuous hazard) with its "process part" only, whereas the remaining part of the transmitter, i.e. its enclosure, can be used in Zone 1 (Gas), only (see sketch below). Reason of this is the process part of the transmitter (normally called primary transducer) that provides inside separation elements to seal off the electrical sensor from the continuously hazardous process, according to the EN50284 and EN50018. About Dust application, the transmitter is suitable for "Zone 21" according to the EN 50281 as it is shown on the relevant part of the sketch:

APPLICATION FOR PRESSURE TRANSMITTER EEx d CATEGORY 1/2 GD



IP code

About the degree of protection provided by the enclosure of the pressure transmitter, the 2600T SERIES has been certified IP67 according to EN 60529 standard.

The first characteristic numeral indicates the protection of the inside electronics against ingress of solid foreign objects including dusts. The assigned "6" means an enclosure dust-tight (no ingress of dust).

The second characteristic numeral indicates the protection of the inside electronics against ingress of water. The assigned "7" means an enclosure water-protected against a temporary immersion in water under standardized conditions of pressure and time.

ADDENDUM FOR "EX SAFETY" ASPECTS (EUROPE)

According to ATEX Directive (European Directive 94/9/EC of 23 March 1994) and relative Standards which can assure compliance with Essential Safety Requirements, i.e., EN 50014 (General requirements) EN 50021 (Specification for electrical apparatus with type of protection "n") EN 50281 (Apparatus for use with combustible dusts), the pressure transmitters of the 2600T SERIES have been certified for the following group, categories, media of dangerous atmosphere, temperature classes, types of protection. Examples of application are also shown below by simple sketches.

- d) Certificate ATEX II 3 GD T50°C, EEx nL IIC T6 (-40°C ≤ Ta ≤ +40°C)
 respectively, GD T95°C, EEx nL IIC T4 (-40°C ≤ Ta ≤ +85°C)

ZELM "Conformity Statement" number ZELM 02 ATEX 3088

(Note: It is the technical support for the ABB Declaration of Conformity)

The meaning of ATEX code is as follows:

- II : Group for surface areas (not mines)
- 3 : Category
- G : Gas (dangerous media)
- D : Dust (dangerous media)
- T50°C: Maximum surface temperature of the transmitter enclosure with a Ta (ambient temperature) +40°C for Dust (not Gas) with a dust layer up to 50 mm depth.
- T95°C: As before for Dust for a Ta +85°C

The other marking refers to the protection type used according to the standards:

- EEx nL : Type of protection "n" with "energy limitation" technique
- IIC : Gas group
- T6 : Temperature class of the transmitter (which corresponds to 85°C max) with a Ta (ambient temperature) +40°C
- T4 : Temperature class of the transmitter (which corresponds to 135°C max) with a Ta (ambient temperature) +85°C

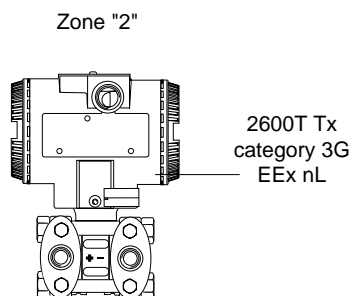


Note: when installed this transmitter must be supplied by a voltage limiting device which will prevent the rated voltage of 42 V d.c. being exceeded.

About the applications, this transmitter can be used in "Zone 2" (Gas) and "Zone 22" (Dust) classified areas (unlikely/infrequent hazard) as it is shown on the following sketch:

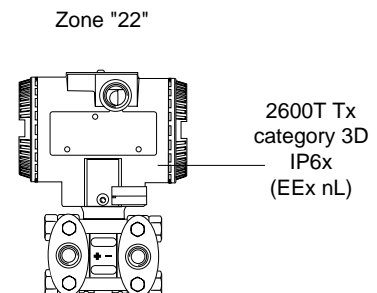
APPLICATION FOR PRESSURE TRANSMITTER EEx nL CATEGORY 3GD

Application with Gas



Note: the transmitter must be connected to a supply with 42 V d.c. max output voltage as above indicated. The Ii of the transmitter is less than 25 mA.

Application with Dust



Note: the protection is mainly assured by the "IP degree" associated to the low power from the supply.

ADDENDUM FOR "EX SAFETY" ASPECTS AND "IP" PROTECTION (EUROPE)

According to ATEX Directive (European Directive 94/9/EC of 23 March 1994) and relative European Standards which can assure compliance with Essential Safety Requirements, i.e., EN 50014 (General requirements) EN 50018 (Flameproof enclosures "d") EN 50020 (Intrinsic safety "i") EN 50284 (Equipments, group II, category 1G) EN 50281 (Apparatus for use with combustible dusts), the pressure transmitters of the 2600T SERIES have been certified for the following group, categories, media of dangerous atmosphere, temperature classes, types of protection. Examples of application are also shown below by simple sketches.

Note for pressure transmitter with ATEX combined approval



WARNING - Before installation of the Transmitter, the customer should permanent mark his chosen Protection Concept on the safety label. The transmitter can only be used with according to this Protection Concept for the whole life. If both types of protection box (on safety label) are permanent marked, the pressure transmitter must be removed from hazardous classified locations. The selected Type of Protection is allowed to be changed only by manufacturer after a new satisfactory assessment.

- e) Certificate ATEX II 1 GD T50°C, EEx ia IIC T6 (-40°C ≤ Ta ≤ +40°C)
respectively, 1 GD T95°C, EEx ia IIC T4 (-40°C ≤ Ta ≤ +85°C)
and ATEX II 1/2 GD T50°C, EEx ia IIC T6 (-40°C ≤ Ta ≤ +40°C)
respectively, 1/2 GD T95°C, EEx ia IIC T4 (-40°C ≤ Ta ≤ +85°C)
and ATEX II 1/2 GD, EEx d IIC T6
IP67 T85°C (-40°C ≤ Ta ≤ +75°C)

ZELM certificate number ZELM 04 ATEX 0202 X (for HART)

ZELM certificate number ZELM 04 ATEX 0216 X (for PROFIBUS PA and FOUNDATION Fieldbus)

(X = Special conditions for safe use)

For special conditions for safe use see certificate

The meaning of ATEX code is as follows:

- II : Group for surface areas (not mines)
- 1 : Category
- 1/2 : Category - It means that only a part of the transmitter complies with category 1 and a second part complies with category 2 (see on application sketch)
- G : Gas (dangerous media)
- D : Dust (dangerous media)
- T50°C: Maximum surface temperature of the transmitter enclosure with a Ta (ambient temperature) +40°C for Dust (not Gas) with a dust layer up to 50 mm depth.
- T95°C: As before for Dust for a Ta +85°C

and for Flameproof protection type:

- T85°C: Maximum surface temperature of the transmitter enclosure with a Ta (ambient temperature) +75°C for Dust (not Gas) with a dust layer up to 50 mm depth.

(Note: the number close to the CE marking of the transmitter safety label identifies the Notified Body which has responsibility for the surveillance of the production)

The other marking refers to the Intrinsic safety protection type used according to relevant EN standards:

- EEx ia : Intrinsic safety, protection level "a"
- IIC : Gas group
- T6 : Temperature class of the transmitter (which corresponds to 85°C max) with a Ta (ambient temperature) +40°C
- T4 : Temperature class of the transmitter (which corresponds to 135°C max) with a Ta (ambient temperature) +85°C

The other marking refers to the Flameproof protection type used according to relevant EN standards:

- EEx d: Flameproof
- IIC : Gas group
- T6 : Temperature class of the transmitter (which corresponds to 85°C max) with a Ta (ambient temperature) +75°C.

About the applications of the transmitter see the relevant sketch.

ADDENDUM FOR "EX SAFETY" ASPECTS (NORTH AMERICA)

According to Factory Mutual Standards which can assure compliance with Essential Safety Requirements

FM 3600 : Electrical Equipment for use in Hazardous (Classified) Locations, General Requirements.

FM 3610 : Intrinsically Safe Apparatus and Associated Apparatus for Use in Class I, II, III, Division 1, and Class I, Zone 0 & 1 Hazardous (Classified) Locations.

FM 3611 : Nonincendive Electrical Equipment for Use in Class I and II, Division 2 and Class III Division 1 and 2 Hazardous (Classified) Locations.

FM 3615 : Explosionproof Electrical Equipment.

FM 3810 : Electrical and Electronic Test, Measuring and Process Control Equipment.

NEMA 250 : Enclosure for Electrical Equipment (1000 Volts Maximum)

The 2600T Series pressure transmitters have been certified by Factory Mutual for the following Class, Divisions and Gas groups, hazardous classified locations, temperature class and types of protection.

- Explosionproof for Class I, Division 1, Groups A, B, C and D, hazardous (classified) locations.
- Dust Ignition proof for Class II, III Division 1, Groups E, F and G, hazardous (classified) locations.
- Suitable for Class II, III, Division 2, Groups F and G, hazardous (classified) locations.
- NonIncendive for Class I, Division 2, Groups A, B, C and D, in accordance with Nonincendive field wiring requirements for hazardous (classified) locations.
- Intrinsically Safe for use in Class I, II and III, Division 1, Groups A, B, C, D, E, F, and G in accordance with Entity requirements for hazardous (classified) locations.
- Temperature class T4 to T6 (dependent on the maximum input current and the maximum ambient temperature).
- Ambient Temperature range -40°C to +85°C (dependent on the maximum input current and the maximum temperature class).
- Electrical Supply range Minimum 10.5 Volts, Maximum 42 Volts (dependent on the type of protection, maximum ambient temperature, maximum temperature class and communication protocol).
- Type 4X applications Indoors/Outdoors.

For a correct installation in field of 2600T Series pressure transmitters please see the related control drawing.

Note that the associated apparatus must be FM approved.

. . . . ADDENDUM FOR "EX SAFETY" ASPECTS (NORTH AMERICA)

According to CSA International Standards which can assure compliance with Essential Safety Requirements

C22.2

0-M1991 : General Requirements – Canadian Electrical Code Part II.

0.4-M1982 : Bounding and Grounding of Electrical Equipment (Protective Grounding)

0.5-M1982 : Threaded Conduit Entries

25-M1966 : Enclosures for use in Class II Groups E, F and G Hazardous Locations.

30-M1986 : Explosion-proof Enclosures for use in Class I Hazardous Locations.

94-M1991 : Special Purpose Enclosures.

213-M1987 : Non-Incendive Electrical Equipment for use in Class I Division 2 Hazardous Locations.

157-M1992 : Intrinsically Safe and Non-Incendive Equipment for use in Hazardous Locations.

CAN/CSA C22.2 No.1010.1-92

Safety Requirements for Electrical Equipment for Measurement, Control, and Laboratory Use, Part 1 : General Requirements (includes Amendment 1)

CAN/CSA C22.2 No.1010.1B-97

Amendment 2 to CAN/CSA C22.2 No 1010.1-92

CAN/CSA E60079-0-00

Electrical apparatus for explosive gas atmosphere. Part 0 : General Requirements.

CAN/CSA E60079-1-01

Electrical apparatus for explosive gas atmosphere. Part 1 : Construction and verification test of flameproof enclosure of electrical apparatus.

CAN/CSA E60079-11-02

Electrical apparatus for explosive gas atmosphere. Part 11 : Intrinsic Safety "i"

The 2600T Series pressure transmitters have been certified by CSA International for the following Class, Divisions and Gas groups, hazardous classified locations, temperature class and types of protection.

- Explosionproof for Class I, Division 1 and 2, Groups A, B, C and D; Class II Groups E, F and G; Class III; Enclosure Type 4X Ex d IIC.
- Non incendive for Class I, Division 2, Groups A, B, C and D; Class II Groups E, F and G; Class III; Enclosure Type 4X Ex nL IIC.
- Intrinsically Safe for Class I, Division 1 and 2, Groups A, B, C and D; Class II Groups E, F and G; Class III; Enclosure Type 4X Ex ia IIC.
- Temperature class T4 to T6 (dependent on the maximum input current and the maximum ambient temperature).
- Ambient Temperature range -40°C to +85°C (dependent on the maximum input current and the maximum temperature class).
- Electrical Supply range Minimum 10.5 Volts, Maximum 42 Volts (dependent on the type of protection, maximum ambient temperature, maximum temperature class and communication protocol).
- Type 4X applications Indoors & Outdoors.
- Pollution Degree I
- Installation Category II
- Altitude 2000 m
- Humidity 0 to 80%

For a correct installation in field of 2600T Series pressure transmitters please see the related control drawing.

Note that the associated apparatus must be CSA approved.



EC DECLARATION OF CONFORMITY

We: ABB SACE S.p.A.
Via Statale, 113
22016 Lenno (Como)
Italy

declares under our sole responsibility that the products:

2600T EN Series (Transmitters models 262/264/266/268, Hand Held Terminal, Field Indicator) in all the communication configurations (4-20 mA + HART[®], Profibus, Foundation Fieldbus, Safety)

are in conformity with the following standards:

EN 61000-6-3 (2001) Electromagnetic compatibility (EMC) - Generic standards - Emission standard for residential, commercial and light-industrial environments

according to: EN55022 (2001)

EN 61000-6-2 (2001) Electromagnetic compatibility (EMC) - Generic standards - Immunity for industrial environments

according to: EN 61000-4-2 (2001)
EN 61000-4-3 (2002)
EN 61000-4-4 (2001)
EN 61000-4-5 (2001)
EN 61000-4-6 (2001)

following the provisions of the EMC Directives 89/336/EEC and 93/68/EEC.

Lenno, 2nd January 2003

ABB SACE S.p.A.
BU Instrumentation Technical Manager
A. Moroni

ABB SACE S.p.A.

Business Unit Instrumentation

1001MK100

Uffici Commerciali/Sales Office:
Via Statale, 113 - 22016 Lenno (CO) Italy
Tel. +39 0344 58 111 - Fax +39 0344 56 278
e-mail: abb.instrumentation@it.abb.com

Direzione e Uffici Amministrativi/Administration:
Via L. Lama, 33 - 20099 Sesto S. Giovanni (MI) Italy
Tel. +39 02 2414 1 - Fax +39 02 2414 3892
e-mail: sace.ssg@it.abb.com

Sede legale/Registered Office:
I-20124 Milano - Via Vittor Pisani, 16
Tel.: +39 02 2414.1
Capitale Sociale: € 60.000.000 i.v.
Partita IVA/VAT n°: IT 00257710731
Registro delle imprese di Milano e Codice
Fiscale: 0109949 015 1
R.E.A. Milano: 1066547+

Unità produttive/Factories:
Lenno (CO)
Ossuccio (CO)
Sesto S. Giovanni (MI)

PRODUCTS & CUSTOMER SUPPORT

Products

Automation Systems

- *for the following industries:*
 - Chemical & Pharmaceutical
 - Food & Beverage
 - Manufacturing
 - Metals and Minerals
 - Oil, Gas & Petrochemical
 - Pulp and Paper

Drives and Motors

- *AC and DC Drives, AC and DC Machines, AC Motors to 1kV*
- *Drive Systems*
- *Force Measurement*
- *Servo Drives*

Controllers & Recorders

- *Single and Multi-loop Controllers*
- *Circular Chart, Strip Chart and Paperless Recorders*
- *Paperless Recorders*
- *Process Indicators*

Flexible Automation

- *Industrial Robots and Robot Systems*

Flow Measurement

- *Electromagnetic Magnetic Flowmeters*
- *Mass Flow Meters*
- *Turbine Flowmeters*
- *Wedge Flow Elements*

Marine Systems & Turbochargers

- *Electrical Systems*
- *Marine Equipment*
- *Offshore Retrofit and Refurbishment*

Process Analytics

- *Process Gas Analysis*
- *Systems Integration*

Transmitters

- *Pressure*
- *Temperature*
- *Level*
- *Interface Modules*

Valves, Actuators and Positioners

- *Control Valves*
- *Actuators*
- *Positioners*

Water, Gas & Industrial Analytics Instrumentation

- *pH, conductivity, and dissolved oxygen transmitters and sensors*
- *ammonia, nitrate, phosphate, silica, sodium, chloride, fluoride, dissolved oxygen and hydrazine analyzers.*
- *Zirconia oxygen analyzers, katharometers, hydrogen purity and purge-gas monitors, thermal conductivity.*

Customer Support

We provide a comprehensive after sales service via a Worldwide Service Organization. Contact one of the following offices for details on your nearest Service and Repair Centre.

Italy

ABB SACE spa
Business Unit Instrumentation
Tel: +39 0344 58111
Fax: +39 0344 56278

United Kingdom

ABB Limited
Tel: +44 (0)1453 826661
Fax: +44 (0)1453 827856

United States of America

ABB Inc.
Tel: +1 (0) 755 883 4366
Fax: +1 (0) 755 883 4373

Client Warranty

Prior to installation, the equipment referred to in this manual must be stored in a clean, dry environment, in accordance with the Company's published specification.

Periodic checks must be made on the equipment's condition. In the event of a failure under warranty, the following documentation must be provided as substantiation:

1. A listing evidencing process operation and alarm logs at time of failure.
2. Copies of all storage, installation, operating and maintenance records relating to the alleged faulty unit.

ABB has Sales & Customer Support expertise in over 100 countries worldwide

www.abb.com/instrumentation

The Company's policy is one of continuous product improvement and the right is reserved to modify the information contained herein without notice.

Printed in Italy (05.05)

© ABB 2005



ABB Ltd

Howard Road, St. Neots
Cambridgeshire, PE19 3EU
UK
Tel: +44(0)1480 475321
Fax: +44(0)1480 217948

ABB Inc.

125 E. County Line Road
Warminster, PA 18974
USA
Tel: +1 215 674 6000
Fax: +1 215 674 7183

ABB SACE spa

Business Unit Instrumentation
Via Statale 113
22016 Lenno (CO) Italy
Tel: +39 0344 58111
Fax: +39 0344 56278

ABB Automation Products GmbH

Schillerstrasse 72
D-32425 Minden
Germany
Tel: +49 551 905 534
Fax: +49 551 905 555